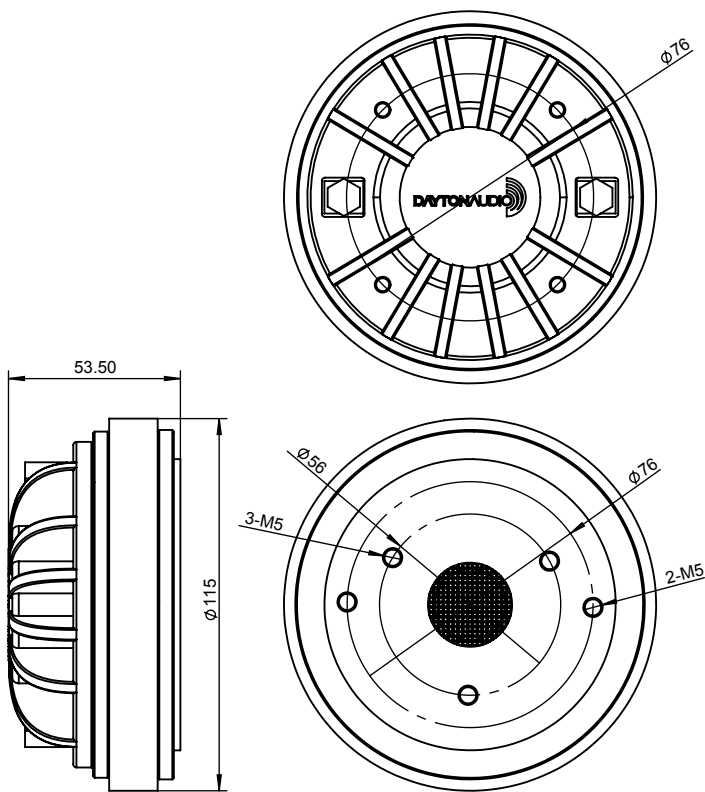




Odeum Ryman 1017B 1" Exit Bolt-On Compression Driver 8 Ohm
CD1780B-8



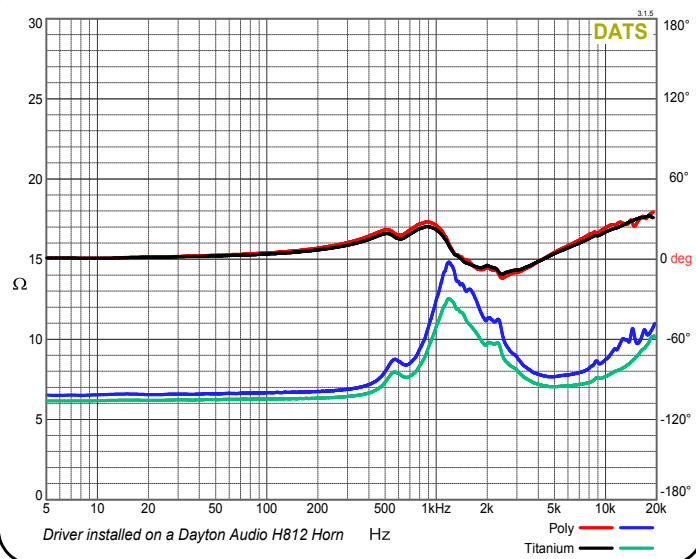
PARAMETERS

| | |
|-------------------------------|-------------------|
| Impedance | 8 ohms |
| Re | 6.6 ohms |
| Le | 0.8 mH |
| Fs | - |
| Qms | - |
| Qes | - |
| Qts | - |
| Mms | - |
| Cms | - |
| Sd | - |
| Vd | - |
| BL | - |
| Vas | - |
| Xmax | - |
| VC Diameter | 45 mm |
| SPL | 107 dB @ 2.83V/1m |
| RMS Power Handling (AES 426B) | 160 watts |
| Usable Frequency Range | 1,000 - 20,000 Hz |

FEATURES

- Titanium diaphragm for durability and extended HF response
- Additional poly diaphragm for a smoother frequency response
- Standard bolt patterns compatible with any bolt-on horn
- High efficiency combined with high power handling for incredible output capabilities
- 8 ohm impedance for easier crossover design

IMPEDANCE/PHASE



FREQUENCY RESPONSE

