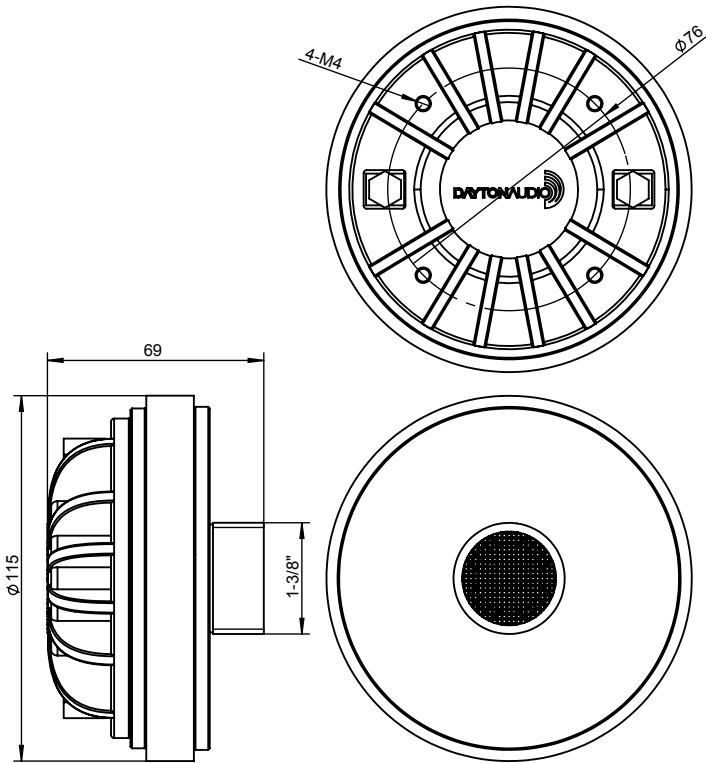




Odeum Ryman 1017S 1" Exit Screw-On Compression Driver 8 Ohm

CD1780S-8



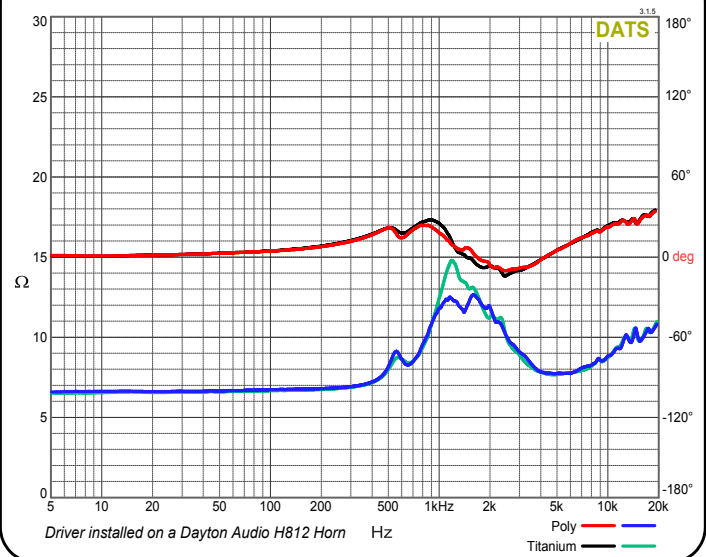
PARAMETERS

Impedance	8 ohms
Re	6.6 ohms
Le	0.6 mH
Fs	-
Qms	-
Qes	-
Qts	-
Mms	-
Cms	-
Sd	-
Vd	-
BL	-
Vas	-
Xmax	-
VC Diameter	45 mm
SPL	107 dB @ 2.83V/1m
RMS Power Handling (AES 426B)	160 watts
Usable Frequency Range	1,000 - 20,000 Hz

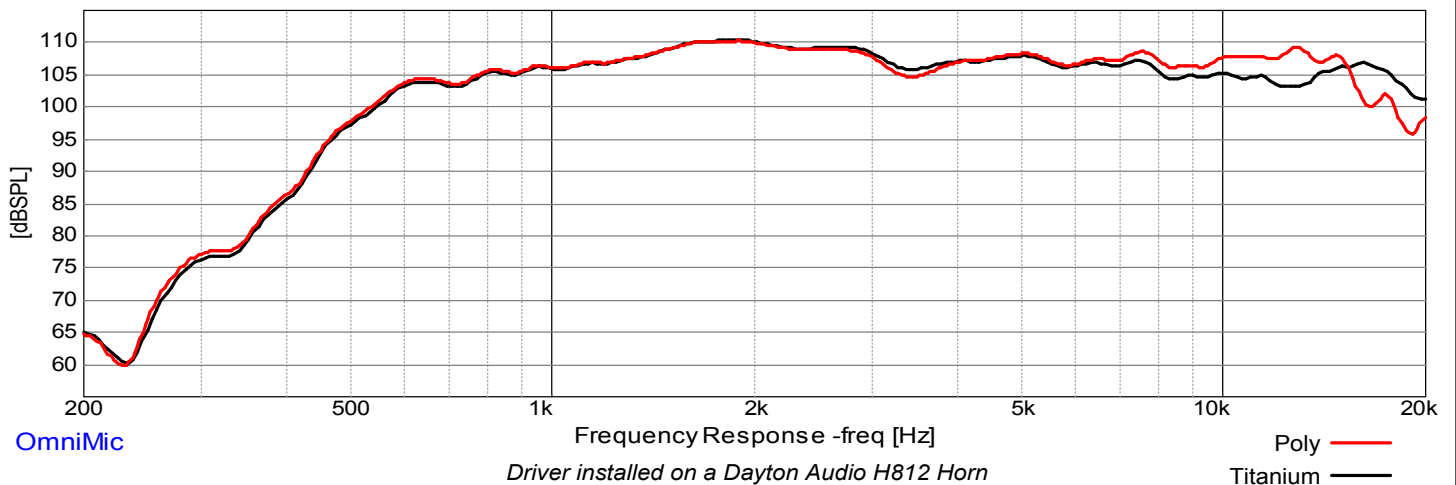
FEATURES

- Titanium diaphragm for durability and extended HF response
- Additional poly diaphragm for a smoother frequency response
- Standard 1-3/8"-18 TPI threading compatible with any screw-on horn
- High efficiency combined with high power handling for incredible output capabilities
- 8 ohm impedance for easier crossover design

IMPEDANCE/PHASE



FREQUENCY RESPONSE



OmniMic

Driver installed on a Dayton Audio H812 Horn