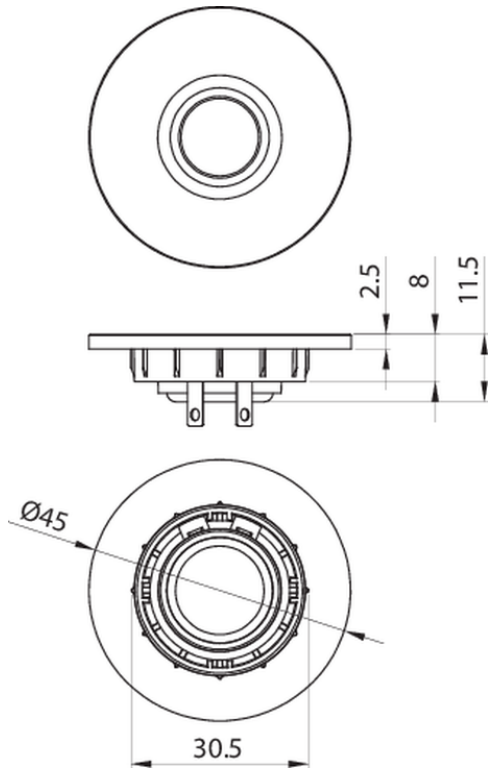




# ND13FA-4 1/2" Soft Dome Neodymium Tweeter 4 Ohm



PARAMETERS	
Impedance	4 ohms
Re	3.07 ohms
Le	0.02 mH
Fs	2832 Hz
Qms	0.93
Qes	8.44
Qts	0.84
Mms	N/A
Cms	N/A
Sd	N/A
Vd	N/A
BL	N/A
Vas	N/A
Xmax	N/A
VC Diameter	12.7 mm
SPL	88.5 dB 2.83V/1m
RMS Power Handling	20 watts
Usable Frequency Range (Hz)	4,500 - 20,000 Hz

- FEATURES**
- Compact faceplate is perfect for minimal center-to-center distances
  - Easy installation, front mount pressfit design
  - Ferrofluid enhances power handling and helps damp resonance
  - Powerful neodymium motor keeps tweeter small with impressive efficiency

