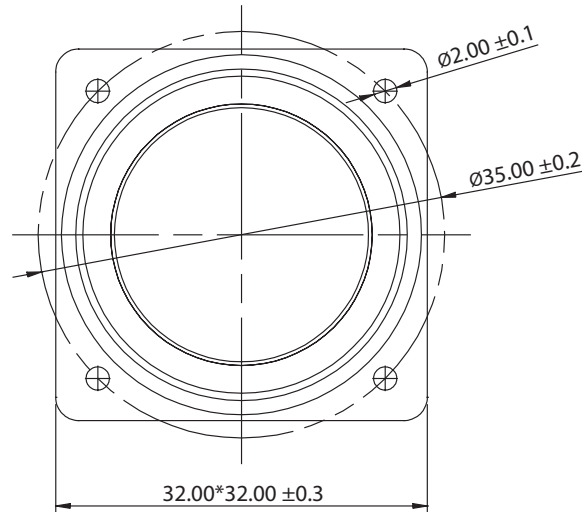
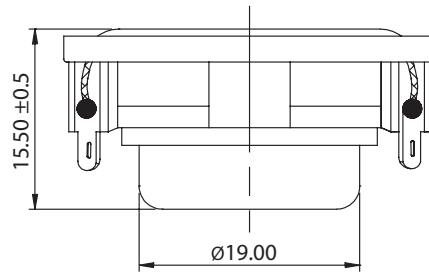


Features

- Black anodized aluminum cone
- Double neodymium magnet motor
- Rubber surround
- Molded plastic frame
- Compact design
- Conventional mounting
- Excellent sonic detail

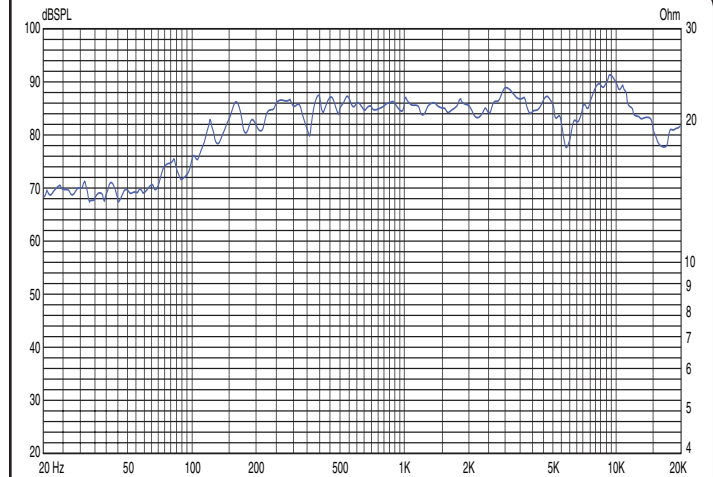
Parameters

Impedance (Ω)	8
Re (Ω)	7.01
Le (mH) @ 1 kHz	0.29
Fs (Hz)	273.9
Qms	2.84
Qes	1.25
Qts	0.87
Mms (g)	0.49
Cms (mm/N)	0.68
Sd (cm ²)	3.917
Vd (cm ³)	0.002
BL (Tm)	2.20
VAS (liters)	0.015
XMAX (mm)	0.7
VC Diameter (mm)	12.5
SPL (dB@1W/1m)	77.9
RMS Power Handling (w)	2.0
Usable Frequency Range (Hz)	240 - 20,000



Note: All dimensions in mm.

Frequency Response



Note: Due to testing limitations, response below 200 Hz is not an actual representation.

Impedance/Phase

