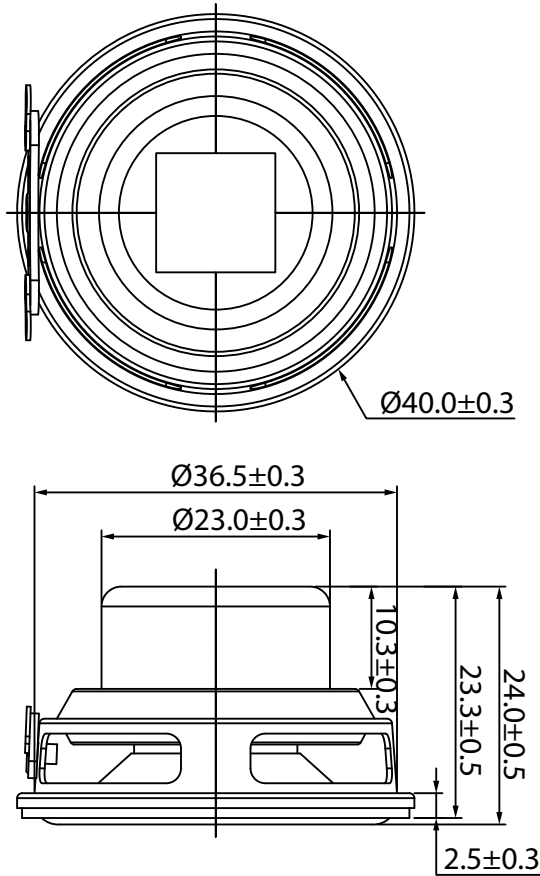




1" Full-Range 10W 4 ohm

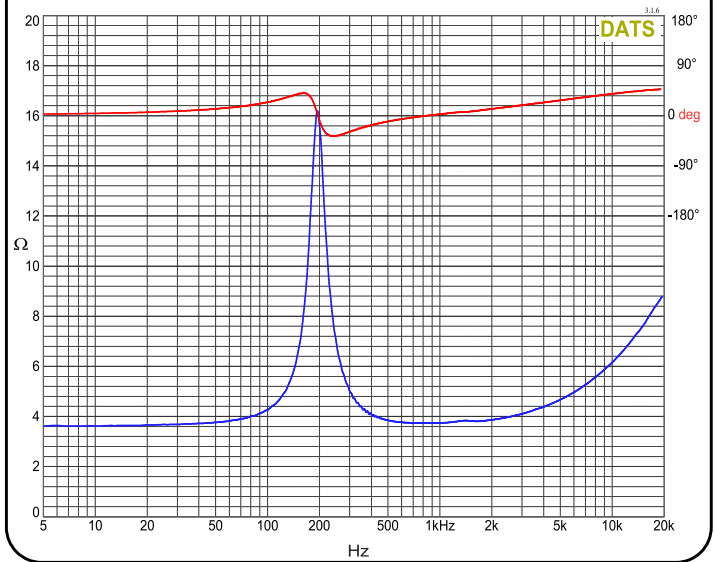
CE40-4



PARAMETERS

Impedance	4 ohms
Re	3.6 ohms
Le	0.06 mH @ 10kHz
Fs	194 Hz
Qms	5.00
Qes	1.45
Qts	1.12
Mms	0.73 g
Cms	0.92 mm/N
Sd	7.07 cm <sup>2</sup>
Vd	0.50 cm <sup>3</sup>
BL	1.50 Tm
Vas	0.064 liters
Xmax	0.7 mm
VC Diameter	16 mm
SPL	80 dB @ 2.83V/1m
RMS Power Handling (AES 426B)	10 watts
Usable Frequency Range (Hz)	150 - 20,000 Hz

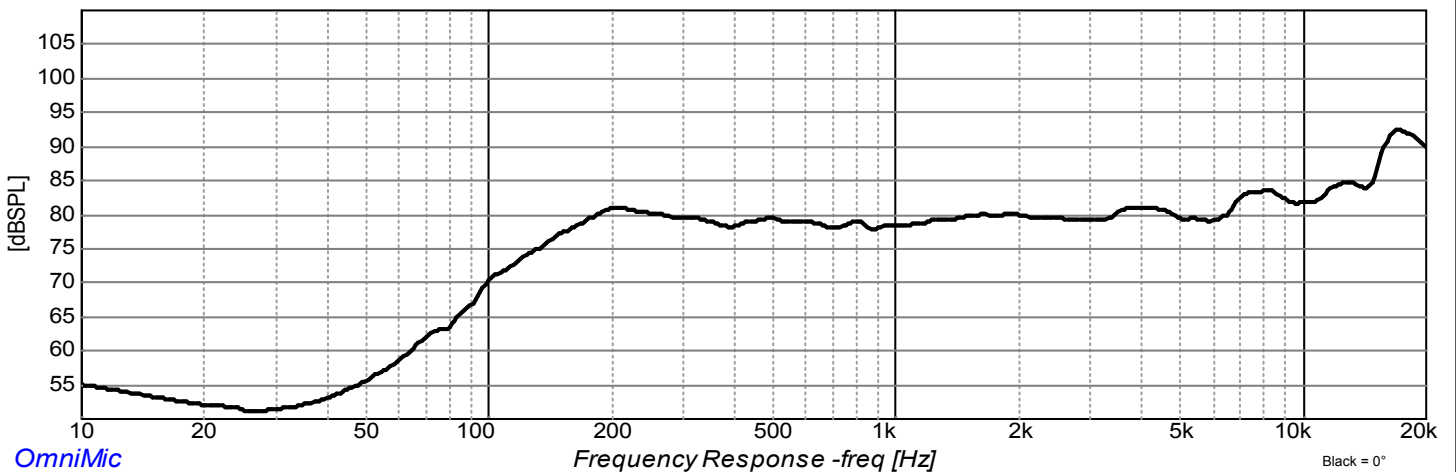
IMPEDANCE/PHASE



FEATURES

- High economic value
- Delivers crisp, clear audio, ensuring an immersive listening experience
- High-quality audio solutions without breaking the bank, ideal for budget-conscious projects
- Suitable for commercial installations, DIY projects, art exhibits, and more

FREQUENCY RESPONSE



OmniMic

Note: 1/24<sup>th</sup> octave smoothing - near field response included in graph below 450 Hz.