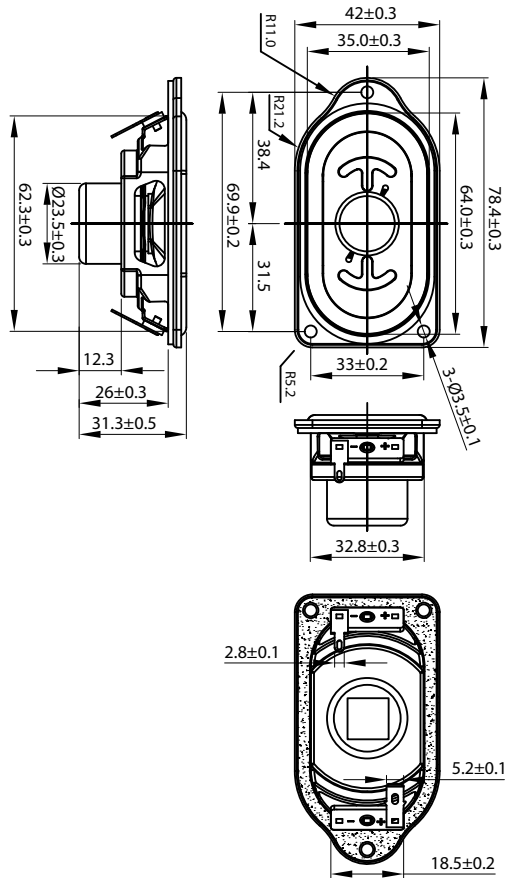




# 1.25"x3" Racetrack Full-Range 10W 8 ohm

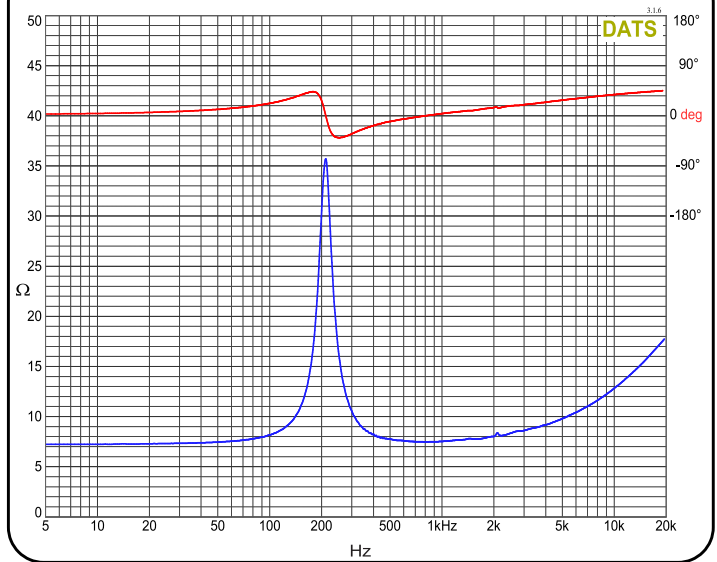
CE4278-8



## PARAMETERS

Impedance	8 ohms
Re	7.3 ohms
Le	0.12 mH @ 10kHz
Fs	211 Hz
Qms	6.20
Qes	1.58
Qts	1.26
Mms	1.4 g
Cms	0.415 mm/N
Sd	15.8 cm <sup>2</sup>
Vd	3.32 cm <sup>3</sup>
BL	2.88 Tm
Vas	0.145 liters
Xmax	2.1 mm
VC Diameter	16 mm
SPL	82 dB @ 2.83V/1m
RMS Power Handling (AES 426B)	10 watts
Usable Frequency Range (Hz)	150 - 17,000 Hz

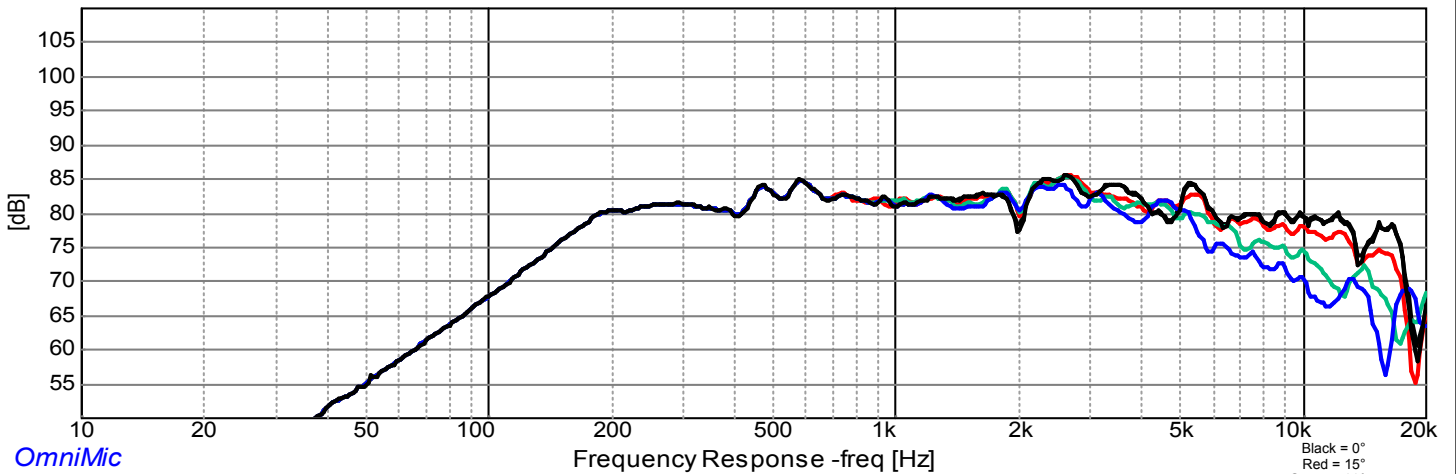
## IMPEDANCE/PHASE



## FEATURES

- High economic value
- Delivers crisp, clear audio, ensuring an immersive listening experience
- High-quality audio solutions without breaking the bank, ideal for budget-conscious projects
- Suitable for commercial installations, DIY projects, art exhibits, and more

## FREQUENCY RESPONSE



Note: 1/24<sup>th</sup> octave smoothing - near field response included in graph below 450 Hz.

OmniMic

Black = 0°  
Red = 15°  
Green = 30°  
Blue = 45°