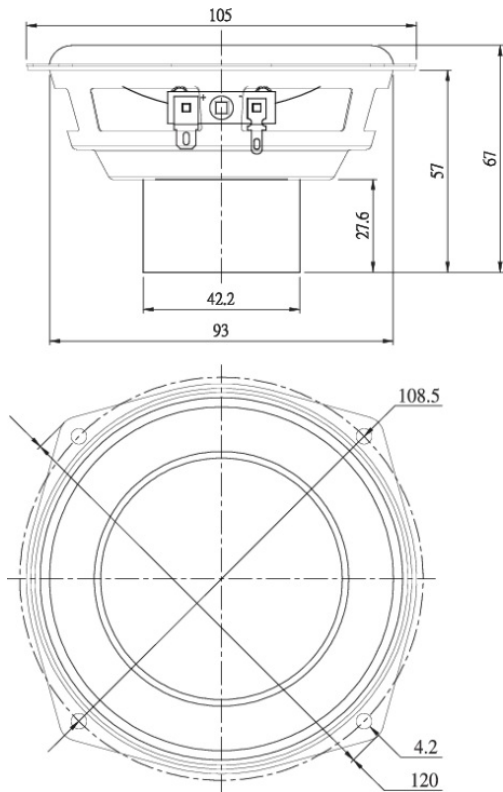




ND105-8 4" Aluminum Cone Midbass Driver 8 Ohm



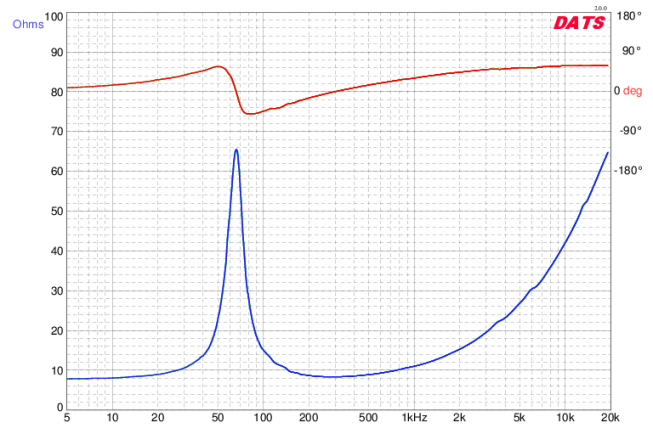
FEATURES

- Extended-range 60 Hz to 10 kHz performance
- Rubber-edged aluminum alloy cone
- Large excursion capability 4 mm Xmax, 20 mm peak
- Self-shielded Neo-Balanced motor structure
- 1" 4-layer underhung voice coil with polyimide former
- 30 watts RMS power handling

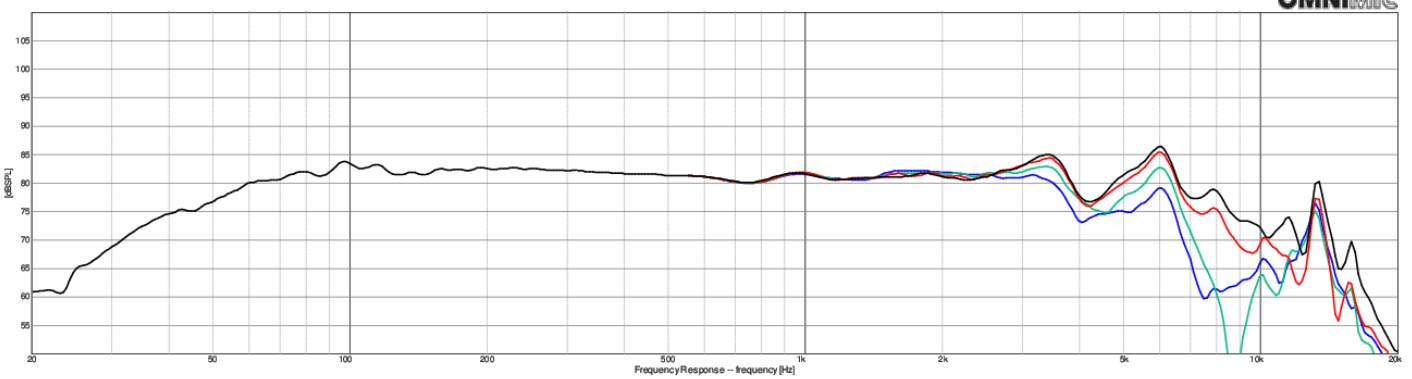
PARAMETERS

Impedance	8 ohms
Re	7.7 ohms
Le	1.25 mH @ 1 kHz
Fs	66.6 Hz
Qms	5.57
Qes	0.74
Qts	0.66
Mms	6.8g
Cms	0.84 mm/N
Sd	51.5 cm ²
Vd	20.6 cm ³
BL	5.44 Tm
Vas	2.97 liters
Xmax	4.0 mm
VC Diameter	25 mm
SPL	82.7 dB @ 2.83V/1m
RMS Power Handling	30 watts
Usable Frequency Range (Hz)	60 - 10,000 Hz

IMPEDANCE/PHASE



FREQUENCY RESPONSE



Note: 1/24th octave smoothing - nearfield response included in graph below 450 Hz

Black = 0°
Red = 15°
Green = 30°
Blue = 45°