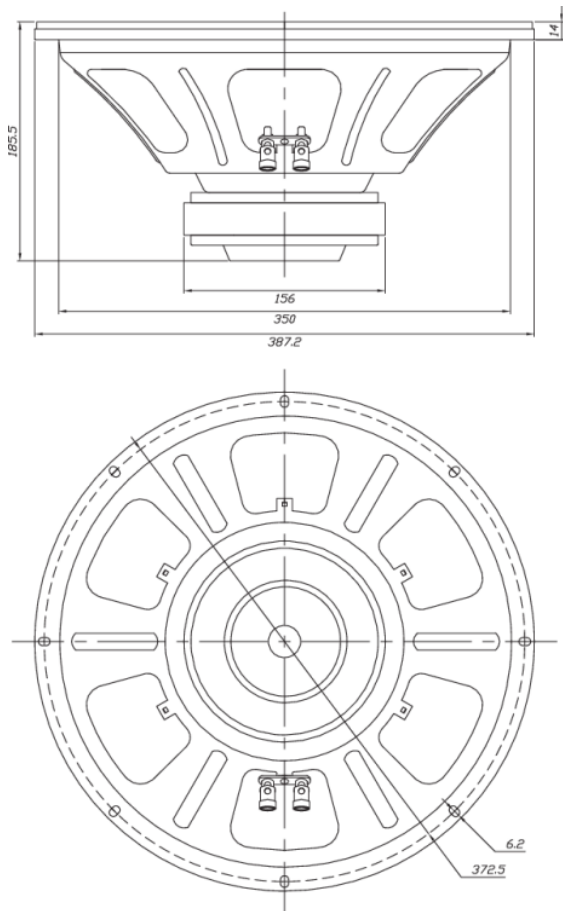




DCS385-4 15" Classic Subwoofer 4 Ohm

DCS385-4



PARAMETERS

Impedance	4 ohms
Re	3.3 ohms
Le	2.2 mH @ 1 kHz
Fs	17.5 Hz
Qms	5.27
Qes	0.42
Qts	0.39
Mms	273g
Cms	0.3 mm/N
Sd	850.1 cm ²
Vd	790.6 cm ³
BL	15.4 Tm
Vas	311 liters
Xmax	9.3 mm
VC Diameter	65.5 mm
SPL	91.7 dB @ 2.83V/1m
RMS Power Handling	300 watts
Usable Frequency Range (Hz)	19 - 200 Hz

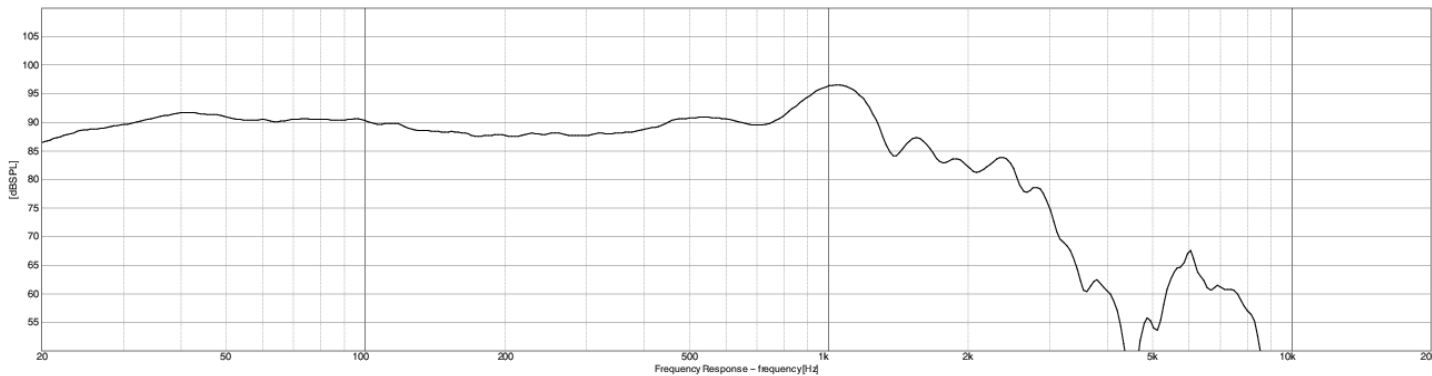
IMPEDANCE/PHASE



FEATURES

- Sturdy stamped steel frame
- Vented pole piece and bumped back plate
- Inductance-reducing copper pole piece cap
- Treated non-pressed paper/Kevlar cone with rubber surround
- 4-layer VC with polyimide former

FREQUENCY RESPONSE



Note: 1/12th octave smoothing - nearfield response included in graph below 450 Hz.

Black = 0°