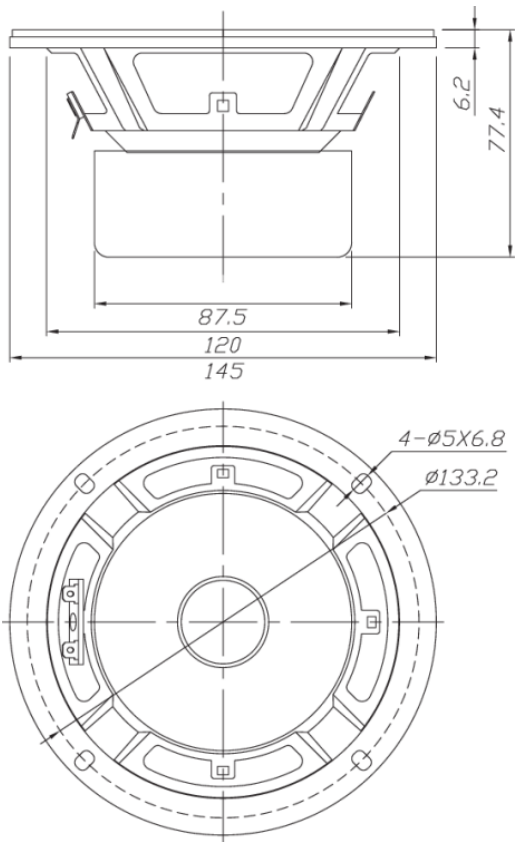




# DC130BS-8 5-1/4" Classic Shielded Woofer 8 Ohm

DC130BS-8



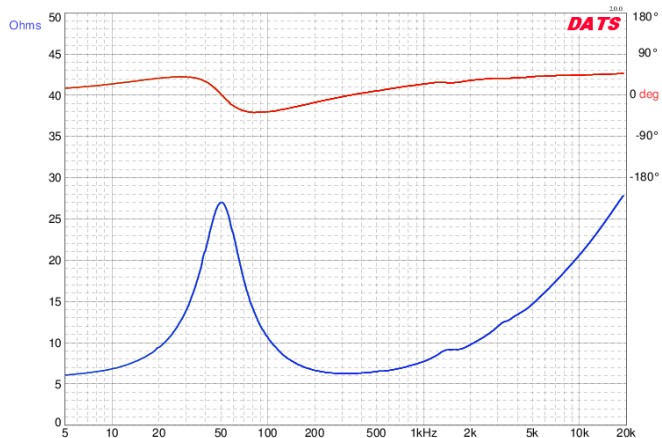
## PARAMETERS

Impedance	8 ohms
Re	5.8 ohms
Le	0.82 mH @ 1 kHz
Fs	50.5 Hz
Qms	1.82
Qes	0.49
Qts	0.39
Mms	8.8g
Cms	1.13 mm/N
Sd	91.6 cm <sup>2</sup>
Vd	22.9 cm <sup>3</sup>
BL	5.71 Tm
Vas	13.8 liters
Xmax	2.5 mm
VC Diameter	25 mm
SPL	88.9 dB @ 2.83V/1m
RMS Power Handling	30 watts
Usable Frequency Range (Hz)	55 - 4,000 Hz

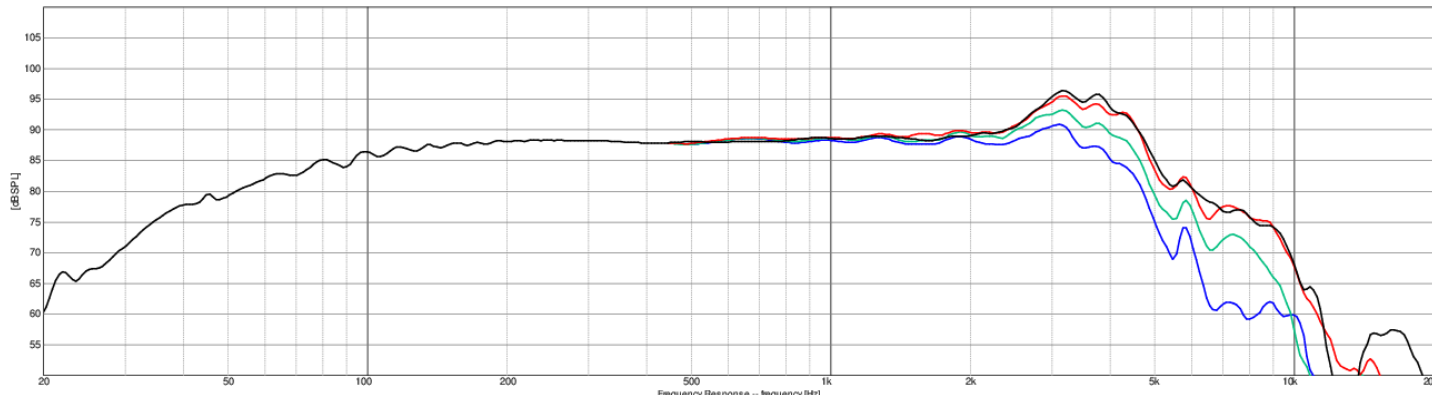
## FEATURES

- Great bang-for-the-buck driver can be used as a woofer, midbass, or even as a small subwoofer
- Smooth frequency response up to 2 kHz and great bass response
- Rubber surround, aluminum voice coil, and extended bump plate
- Shielded design increases performance and allows it to be used near tube TVs

## IMPEDANCE/PHASE



## FREQUENCY RESPONSE



Note: 1/12<sup>th</sup> octave smoothing - nearfield response included in graph below 450 Hz.

Black = 0°  
Red = 15°  
Green = 30°  
Blue = 45°