

DC130BS-4

5-1/4" Classic Shielded Woofer 4 Ohm

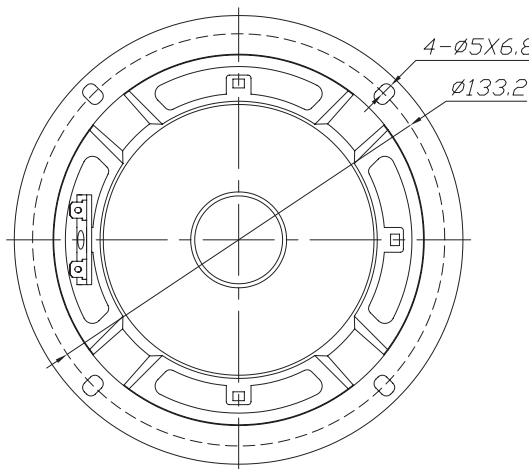
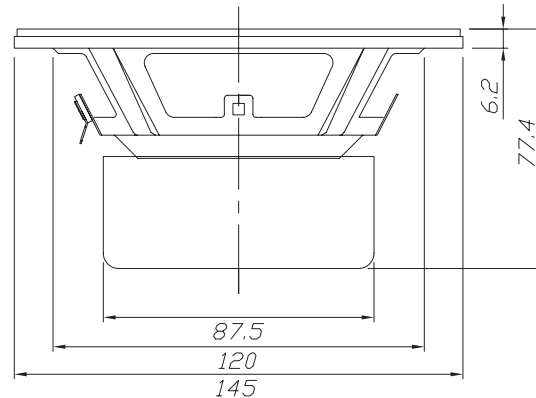


Features

- 5-1/4" polymer laminate non-pressed paper cone
- Fully shielded magnet structure
- Rubber suspension
- High temperature aluminum 4 ohm voice coil
- Coated cloth dust cap
- Vented pole piece

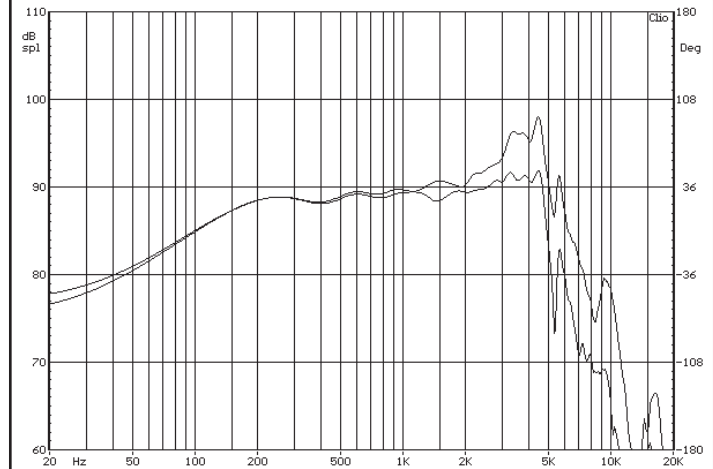
Parameters

Impedance (Ω)	4
Re (Ω)	3.5
Le (mH) @ 1 kHz	0.61
Fs (Hz)	58.5
Qms	2.18
Qes	0.52
Qts	0.42
Mms (g)	7.92
Cms (mm/N)	0.93
Sd (cm ²)	93.3
Vd (liters)	14.0
BL (Tm)	4.47
VAS (liters)	11.4
XMAX (mm)	2.5
VC Diameter (mm)	25
SPL (dB@1W/1m)	88.8
RMS Power Handling (w)	30
Usable Frequency Range (Hz)	55 - 4000



Note: All dimensions in mm.

Frequency Response



Note: Due to testing limitations, response below 200 Hz is not an actual representation.

Impedance/Phase

