

DC130BS-8

5-1/4" Classic Shielded Woofer

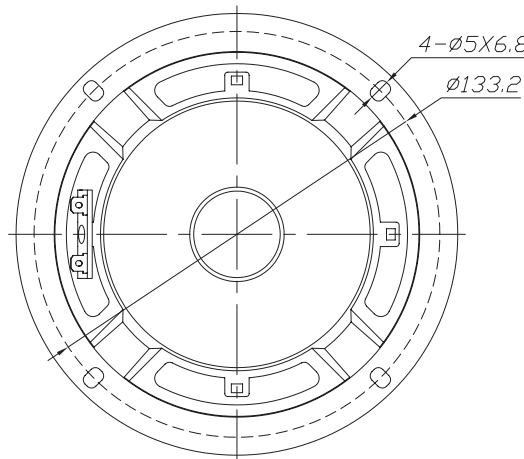
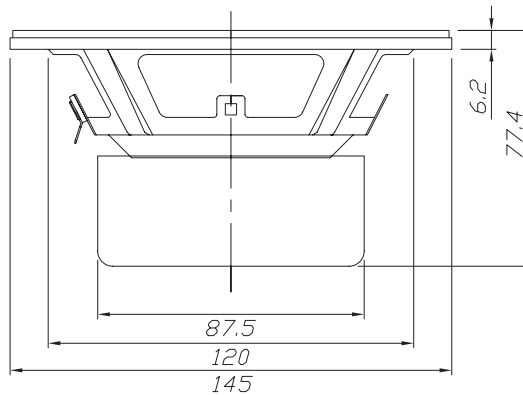


Features

- 5-1/4" polymer laminate non-pressed paper cone
- Rubber suspension
- Fully shielded magnet structure
- High temperature aluminum voice coil
- Coated cloth dust cap
- Vented pole piece

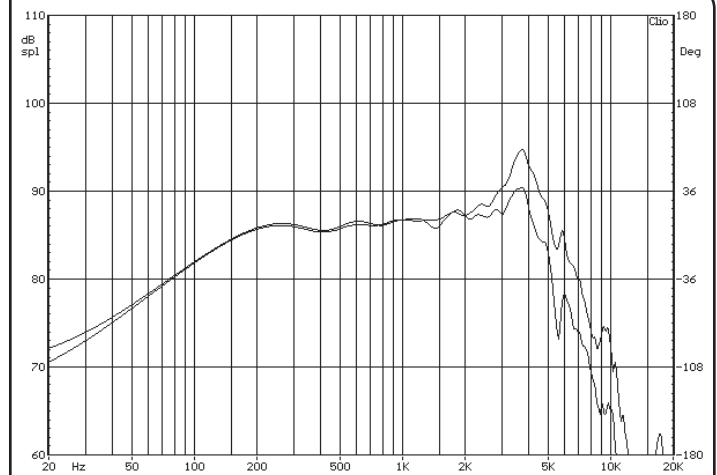
Parameters

Impedance (Ω)	8
Re (Ω)	5.8
Le (mH) @ 1 kHz	0.87
Fs (Hz)	61.2
Qms	2.16
Qes	0.57
Qts	0.45
Mms (g)	9.02
Cms (mm/N)	0.75
Sd (cm ²)	91.6
Vd (liters)	22.9
BL (Tm)	5.95
VAS (liters)	8.8
XMAX (mm)	2.5
VC Diameter (mm)	25
SPL (dB@1W/1m)	88.0
RMS Power Handling (w)	30
Usable Frequency Range (Hz)	55 - 4000



Note: All dimensions in mm.

Frequency Response



Note: Due to testing limitations, response below 200 Hz is not an actual representation.

Impedance/Phase

