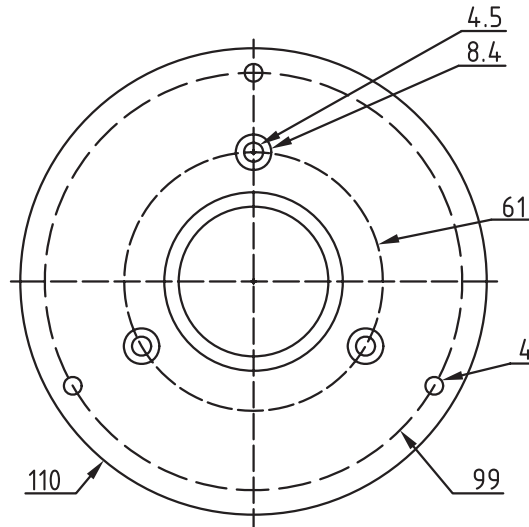
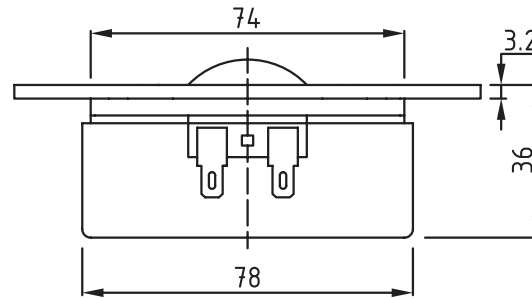


**Features**

- 1-1/8" treated silk dome
- Fully shielded motor structure
- Damped rear chamber
- Ferrofluid cooled voice coil
- Low free air resonance
- Very smooth on and off axis response

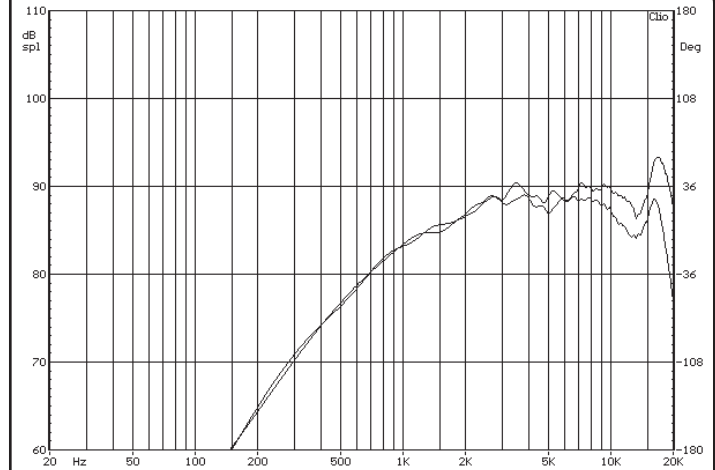
**Parameters**

Impedance ( $\Omega$ )	8
Re ( $\Omega$ )	5.6
Le (mH) @ 10 kHz	0.09
Fs (Hz)	812.9
Qms	1.97
Qes	1.60
Qts	0.88
Mms (g)	
Cms (mm/N)	
Sd (cm <sup>2</sup> )	6.6
Vd (liters)	
BL (Tm)	
VAS (liters)	
XMAX (mm)	
VC Diameter (mm)	29
SPL (dB@1W/1m)	89.0
RMS Power Handling (w)	50
Usable Frequency Range (Hz)	1600 - 20000



Note: All dimensions in mm.

**Frequency Response**



Note: Due to testing limitations, response below 200 Hz is not an actual representation.

**Impedance/Phase**

