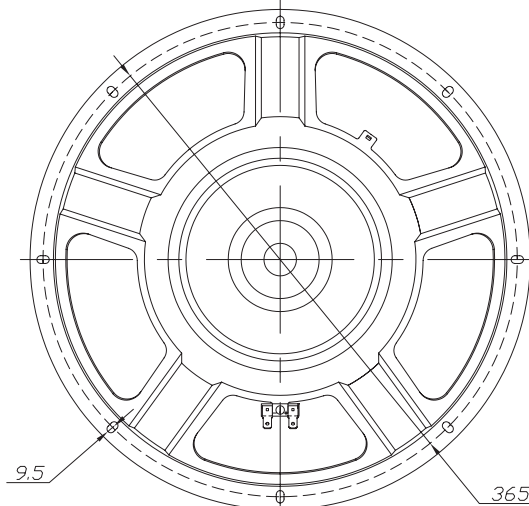
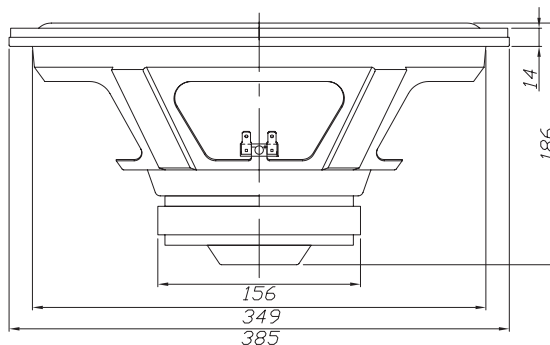


Features

- 15" polymer laminate non-pressed paper cone
- 2" 4-layer high temperature voice coil
- Extended bump plate
- Rubber surround
- Vented pole piece

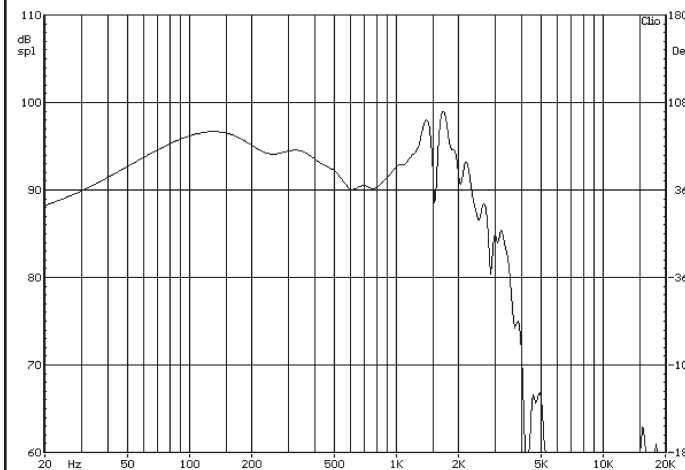
Parameters

Impedance (Ω)	4
Re (Ω)	3.1
Le (mH) @ 1 kHz	2.32
Fs (Hz)	22.9
Qms	3.46
Qes	0.59
Qts	0.50
Mms (g)	195.1
Cms (mm/N)	0.25
Sd (cm ²)	819.4
Vd (liters)	688.3
BL (Tm)	12.55
VAS (liters)	233.9
XMAX (mm)	8.4
VC Diameter (mm)	51
SPL (dB@1W/1m)	89.0
RMS Power Handling (w)	250
Usable Frequency Range (Hz)	20 - 500



Note: All dimensions in mm.

Frequency Response



Note: Due to testing limitations, response below 200 Hz is not an actual representation.

Impedance/Phase

