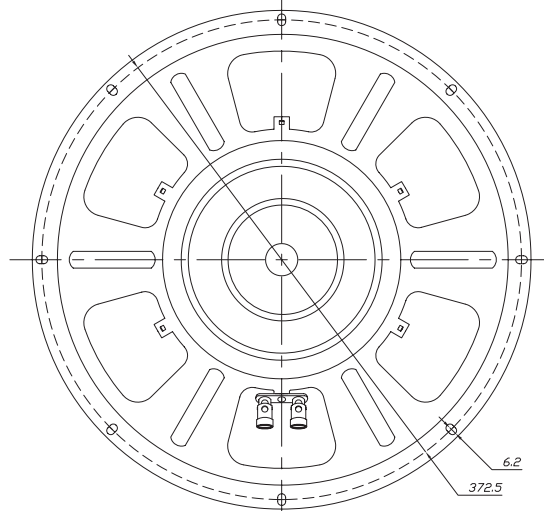
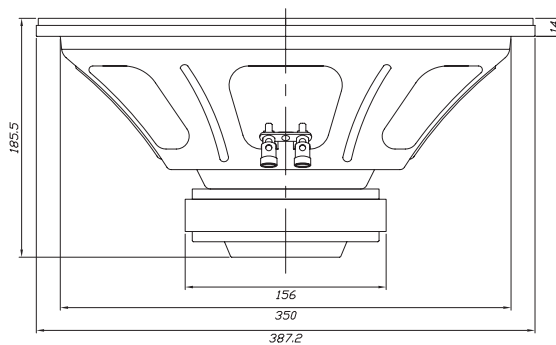


Features

- Kevlar reinforced cone
- High-temperature 4-layer voice coil
- Copper pole piece cap for lower distortion
- Vented pole piece and bump back plate for improved excursion
- Great for home or car audio applications
- 5 year warranty

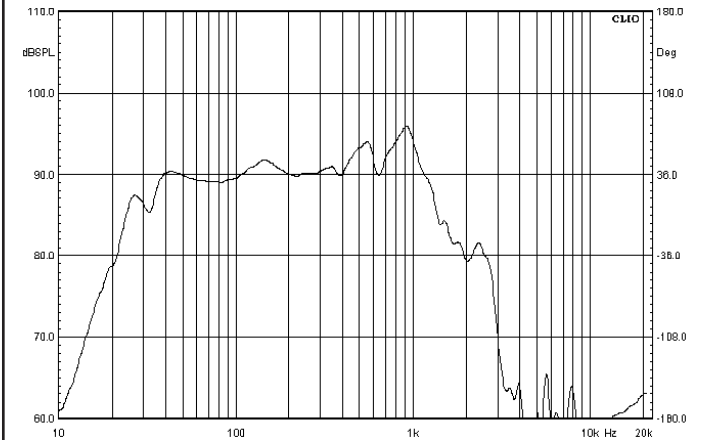
Parameters

Impedance (Ω)	4
Re (Ω)	3.2
Le (mH) @ 1 kHz	2.05
Fs (Hz)	79.5
Qms	4.86
Qes	0.47
Qts	0.43
Mms (g)	189.5
Cms (mm/N)	0.35
Sd (cm ²)	850.1
Vd (liters)	790.6
BL (Tm)	12.86
VAS (liters)	356.4
XMAX (mm)	9.3
VC Diameter (mm)	65.5
SPL (dB@1W/1m)	90.2
RMS Power Handling (w)	300
Usable Frequency Range (Hz)	19 - 200



Note: All dimensions in mm.

Frequency Response



Note: Due to testing limitations, response below 200 Hz is not an actual representation.

Impedance/Phase

