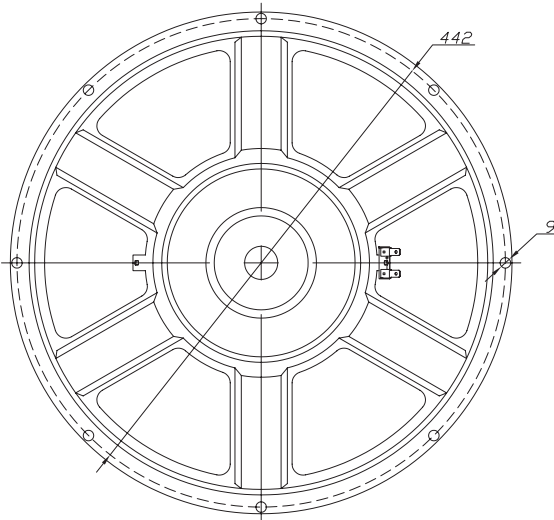
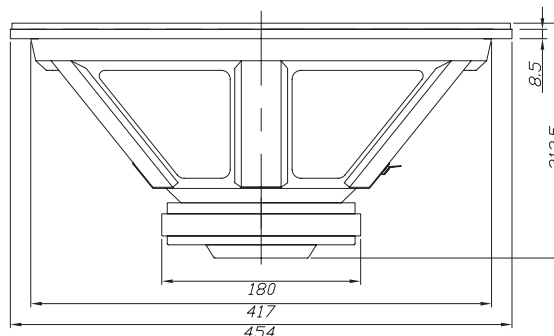


**Features**

- 18" polymer laminate paper cone
- 3" 4-layer high temperature aluminum voice coil
- Extended bump plate
- Large vented pole piece
- Rubber surround

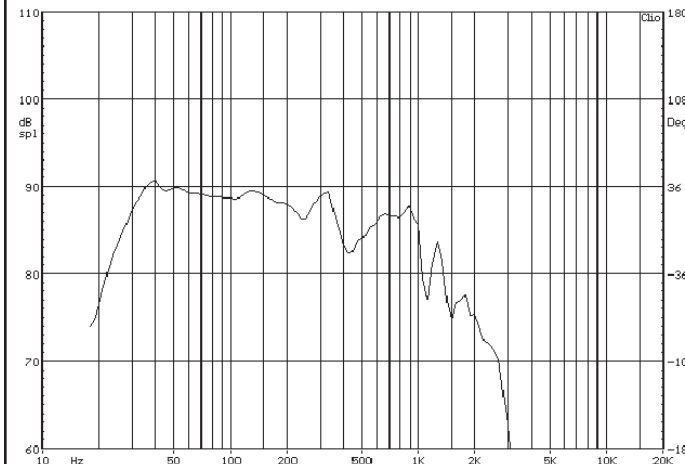
**Parameters**

Impedance ( $\Omega$ )	4
Re ( $\Omega$ )	3.2
Le (mH) @ 1 kHz	2.96
Fs (Hz)	24.9
Qms	5.64
Qes	0.51
Qts	0.47
Mms (g)	263.2
Cms (mm/N)	0.16
Sd (cm <sup>2</sup> )	1134.1
Vd (liters)	935.6
BL (Tm)	16.45
VAS (liters)	280.3
XMAX (mm)	8.25
VC Diameter (mm)	76
SPL (dB@1W/1m)	91.0
RMS Power Handling (w)	300
Usable Frequency Range (Hz)	22- 500



Note: All dimensions in mm.

**Frequency Response**



Note: Due to testing limitations, response below 200 Hz is not an actual representation.

**Impedance/Phase**

