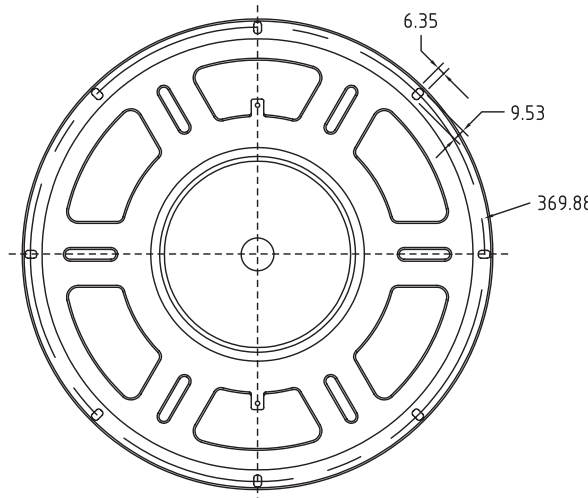
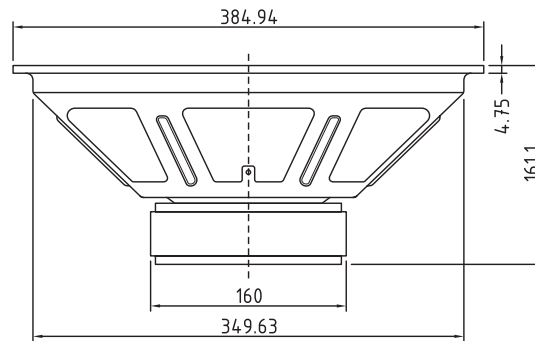


**Features**

- 15" Kevlar impregnated paper cone
- Long excursion design
- Heavy gauge stamped steel frame
- Heavy duty treated foam surround
- Kapton former
- Bumped back plate
- Vented pole piece

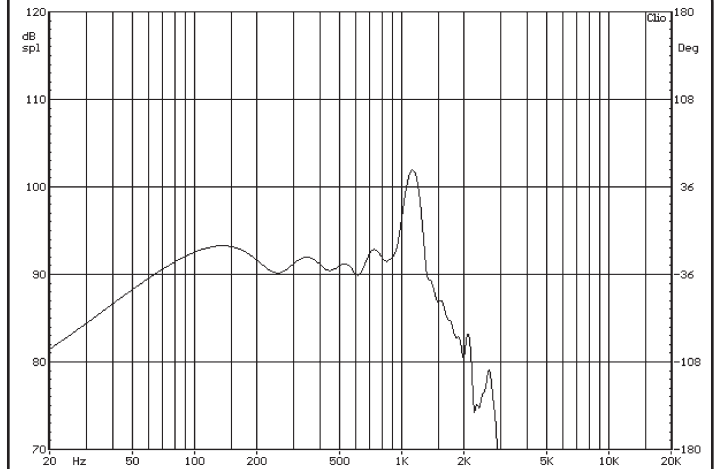
**Parameters**

Impedance ( $\Omega$ )	8
Re ( $\Omega$ )	5.2
Le (mH) @ 1 kHz	3.08
Fs (Hz)	21.5
Qms	8.92
Qes	0.63
Qts	0.59
Mms (g)	207
Cms (mm/N)	0.26
Sd (cm <sup>2</sup> )	819.4
Vd (liters)	1171.7
BL (Tm)	15.46
VAS (liters)	248.9
XMAX (mm)	14.3
VC Diameter (mm)	51
SPL (dB@1W/1m)	88.2
RMS Power Handling (w)	350
Usable Frequency Range (Hz)	20 - 500



Note: All dimensions in mm.

**Frequency Response**



Note: Due to testing limitations, response below 200 Hz is not an actual representation.

**Impedance/Phase**

