

ND20FA-6

3/4" Neodymium Dome Tweeter

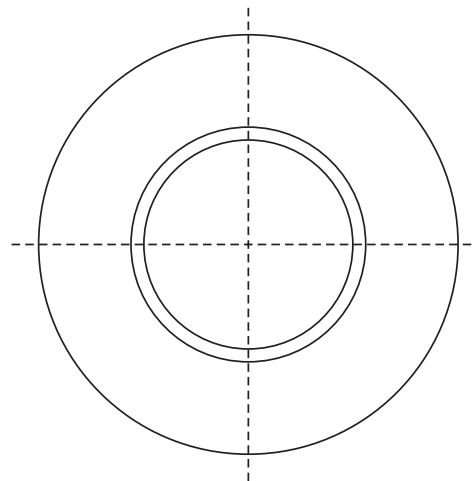
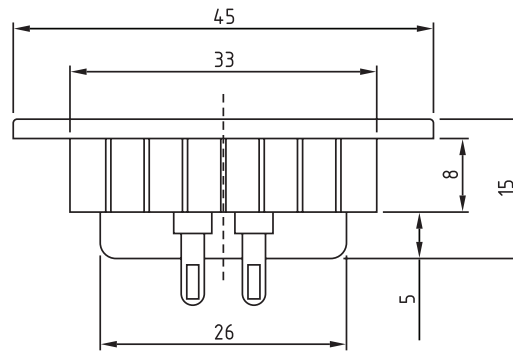


Features

- 3/4" textile soft dome
- Compact surface mount design
- Neodymium motor
- Ferrofluid cooled voice coil
- Extremely flat and extended response
- Great for line arrays

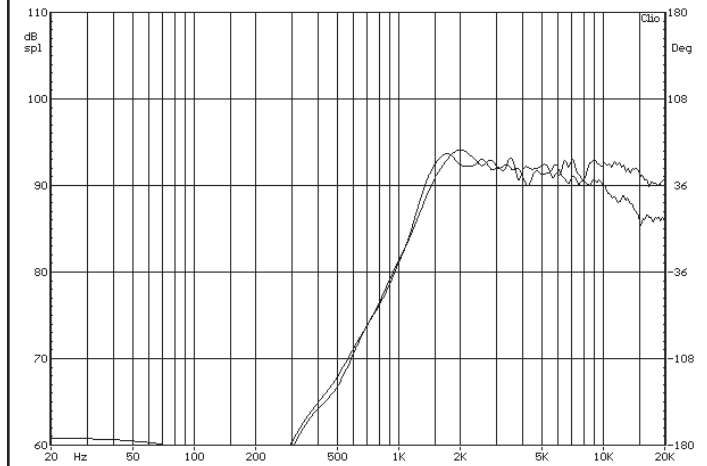
Parameters

Impedance (Ω)	6
Re (Ω)	5.2
Le (mH) @ 10 kHz	0.05
Fs (Hz)	2005.0
Qms	1.50
Qes	2.88
Qts	0.99
Mms (g)	
Cms (mm/N)	
Sd (cm ²)	2.8
Vd (liters)	
BL (Tm)	
VAS (liters)	
XMAX (mm)	
VC Diameter (mm)	19
SPL (dB@1W/1m)	90.0
RMS Power Handling (w)	15
Usable Frequency Range (Hz)	3500 - 25000



Note: All dimensions in mm.

Frequency Response



Note: Due to testing limitations, response below 200 Hz is not an actual representation.

Impedance/Phase

