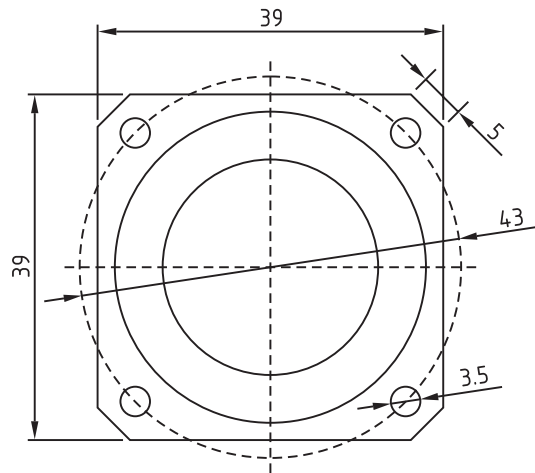
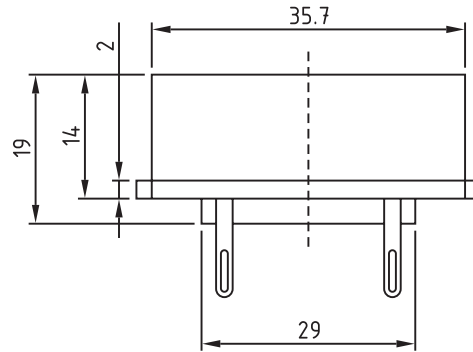


Features

- 3/4" textile soft dome
- Compact faceplate
- Unique rear-mount design
- Neodymium motor
- Ferrofluid cooled voice coil
- Clear and extended highs
- Great for line arrays

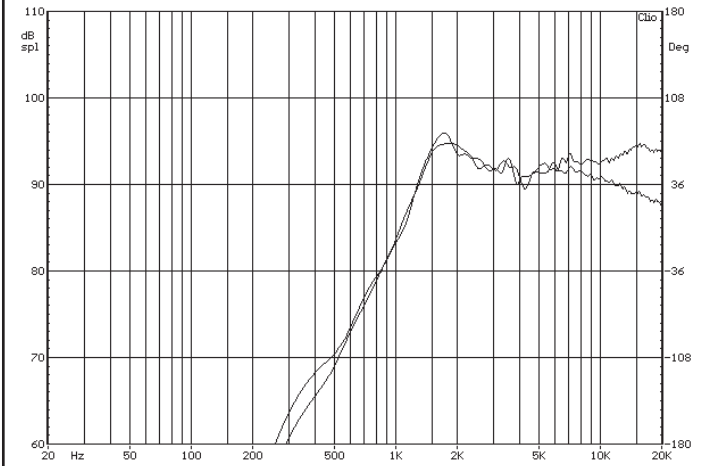
Parameters

| | |
|-----------------------------|--------------|
| Impedance (Ω) | 4 |
| Re (Ω) | 3.2 |
| Le (mH) @ 10 kHz | 0.03 |
| Fs (Hz) | 2072.0 |
| Qms | 2.08 |
| Qes | 3.74 |
| Qts | 1.33 |
| Mms (g) | |
| Cms (mm/N) | |
| Sd (cm ²) | 2.8 |
| Vd (liters) | |
| BL (Tm) | |
| VAS (liters) | |
| XMAX (mm) | |
| VC Diameter (mm) | 19 |
| SPL (dB@1W/1m) | 90.0 |
| RMS Power Handling (w) | 15 |
| Usable Frequency Range (Hz) | 3500 - 25000 |



Note: All dimensions in mm.

Frequency Response



Note: Due to testing limitations, response below 200 Hz is not an actual representation.

Impedance/Phase

