

## NS310-PR

## 12" Cast Frame Passive Radiator

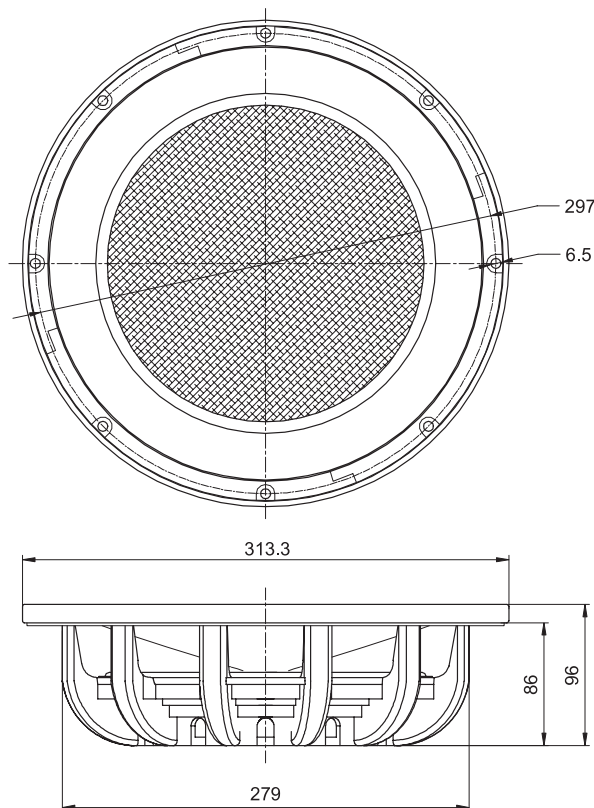


## Features

- Flat honeycomb fiberglass cone
- Low profile die-cast frame
- High excursion stable suspension
- Inverted deep-roll rubber surround
- Unique mass loading apparatus (mass included)
- Same cosmetics as NS Series drivers, can be used with others

## Parameters

Impedance ( $\Omega$ )	
Re ( $\Omega$ )	
Le (mH) @ 1 kHz	
Fs (Hz)	22.1
Qms	5.40
Qes	
Qts	
Mms (g)	312
Cms (mm/N)	0.17
Sd (cm <sup>2</sup> )	482
Vd (liters)	507
BL (Tm)	
VAS (liters)	55.1
XMAX (mm)	10
VC Diameter (mm)	
SPL (dB@1W/1m)	
RMS Power Handling (w)	
Usable Frequency Range (Hz)	



Note: All dimensions in mm.

## Frequency Response

N/A

## Impedance/Phase

N/A