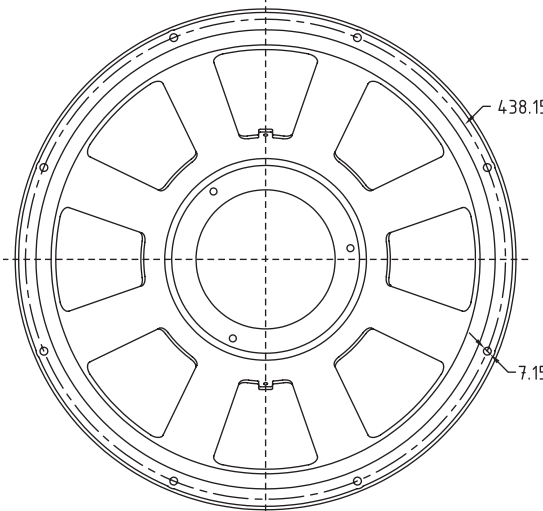
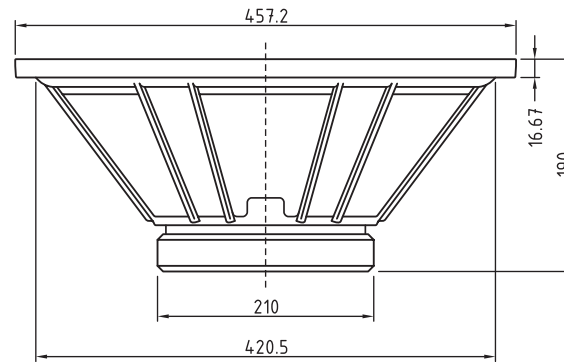


**Features**

- 18" paper cone
- Treated cloth accordion surround and flat spider suspension
- Cast aluminum frame
- Large 4" Kapton voice coil
- Long excursion design
- Gold plated terminals
- Optimized for vented and horn loaded enclosures
- Made in the USA

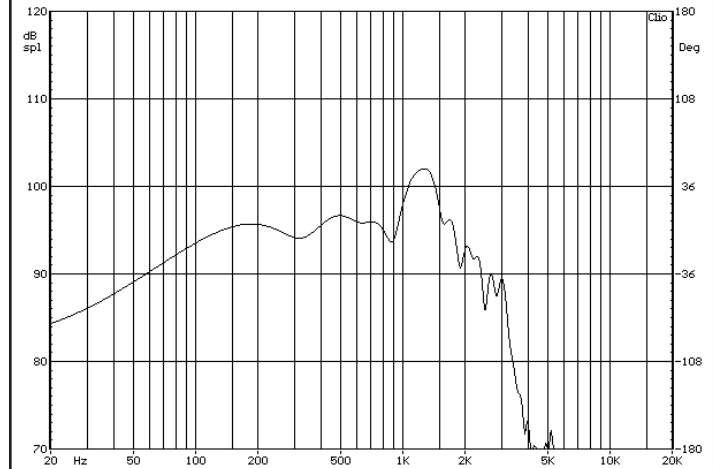
**Parameters**

Impedance ( $\Omega$ )	8
Re ( $\Omega$ )	6.7
Le (mH) @ 1 kHz	2.73
Fs (Hz)	28.3
Qms	6.09
Qes	0.39
Qts	0.36
Mms (g)	144.2
Cms (mm/N)	0.22
Sd (cm <sup>2</sup> )	1188.5
Vd (liters)	713.1
BL (Tm)	20.18
VAS (liters)	435.9
XMAX (mm)	6
VC Diameter (mm)	102
SPL (dB@1W/1m)	96.3
RMS Power Handling (w)	500
Usable Frequency Range (Hz)	25 - 1500



Note: All dimensions in mm.

**Frequency Response**



Note: Due to testing limitations, response below 200 Hz is not an actual representation.

**Impedance/Phase**

