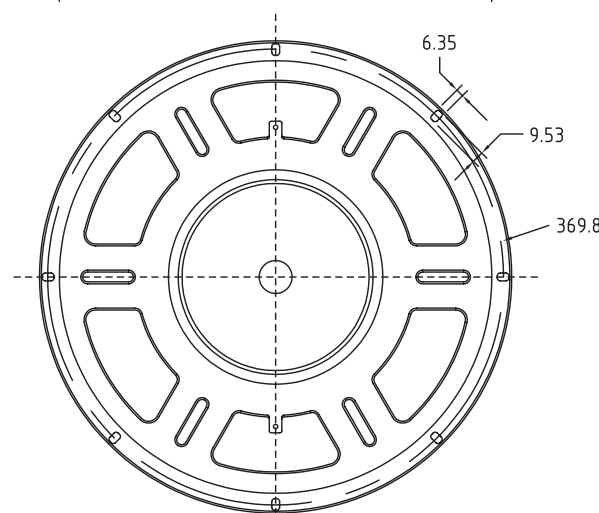
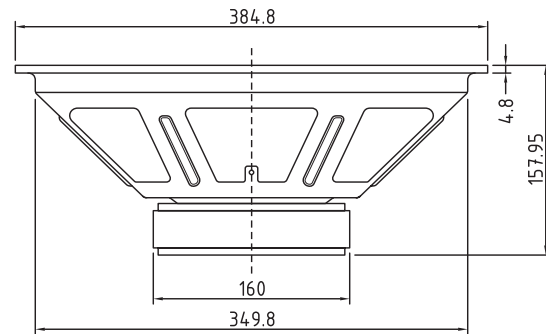


Features

- 15" Kevlar impregnated paper cone
- 4-layer 4 ohm voice coil
- Rubber surround
- Vented pole piece
- High excursion
- High power handling
- Works great in small sealed enclosures
- Made in the USA

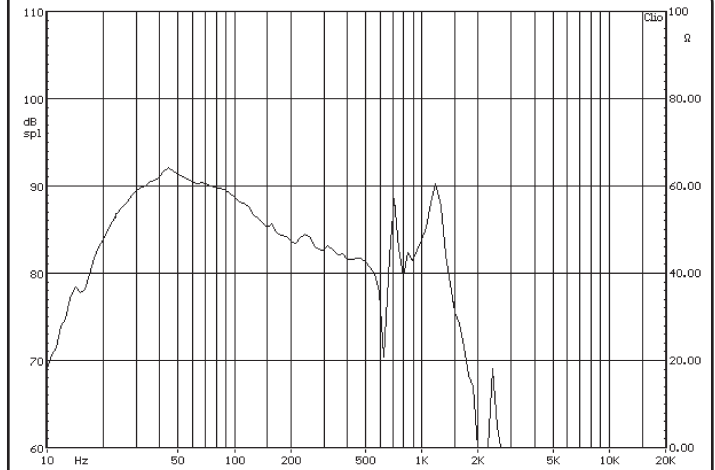
Parameters

Impedance (Ω)	4
Re (Ω)	3.5
Le (mH) @ 1 kHz	2.40
Fs (Hz)	22.9
Qms	12.57
Qes	0.43
Qts	0.42
Mms (g)	294.3
Cms (mm/N)	0.16
Sd (cm ²)	850.1
Vd (liters)	836.5
BL (Tm)	19.29
VAS (liters)	166.9
XMAX (mm)	9.84
VC Diameter (mm)	64
SPL (dB@1W/1m)	88.8
RMS Power Handling (w)	300
Usable Frequency Range (Hz)	20 - 125



Note: All dimensions in mm.

Frequency Response



Note: Due to testing limitations, response below 200 Hz is not an actual representation.

Impedance/Phase

