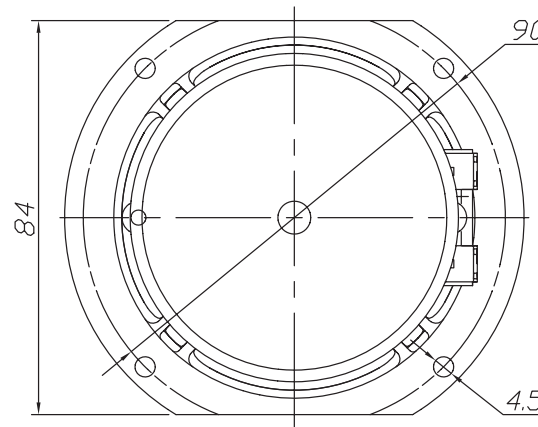
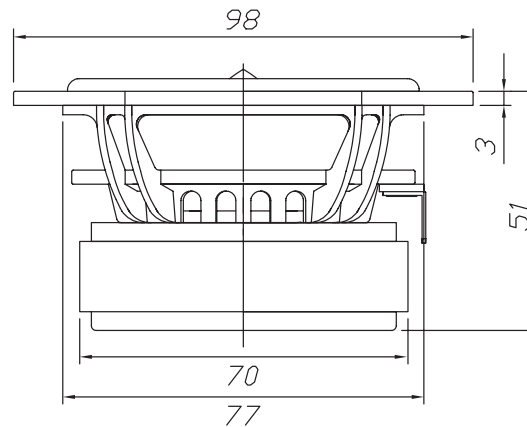


Features

- Lightweight black anodized aluminum cone
- Truncated cast frame
- Advanced low-distortion motor design
- Solid aluminum phase plug
- Rubber surround
- Perfect for line arrays

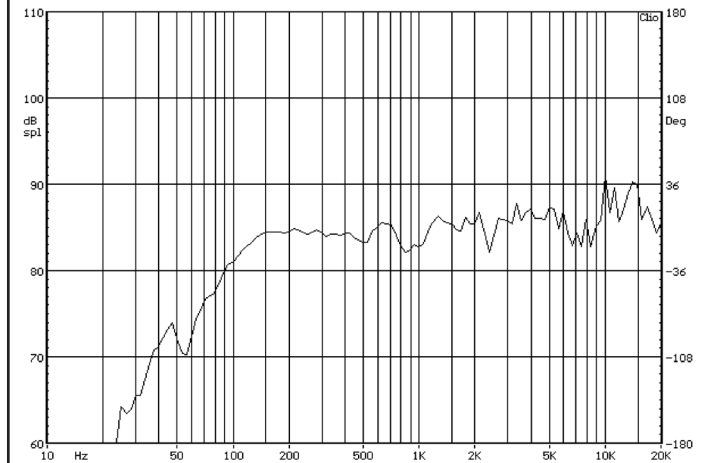
Parameters

Impedance (Ω)	8
Re (Ω)	6.4
Le (mH) @ 1 kHz	0.73
Fs (Hz)	82.5
Qms	2.75
Qes	0.65
Qts	0.52
Mms (g)	3.47
Cms (mm/N)	1.07
Sd (cm ²)	37.4
Vd (liters)	13.8
BL (Tm)	4.22
VAS (liters)	2.1
XMAX (mm)	3.7
VC Diameter (mm)	25.9
SPL (dB@1W/1m)	84.3
RMS Power Handling (w)	25
Usable Frequency Range (Hz)	80 - 20,000



Note: All dimensions in mm.

Frequency Response



Note: Due to testing limitations, response below 200 Hz is not an actual representation.

Impedance/Phase

