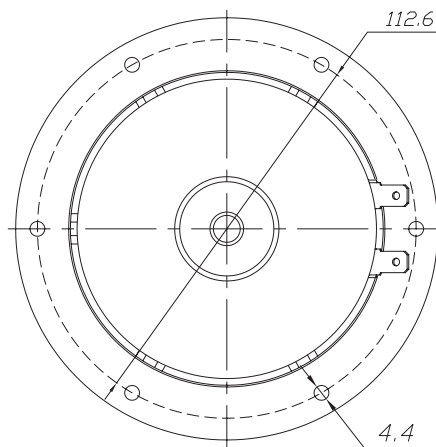
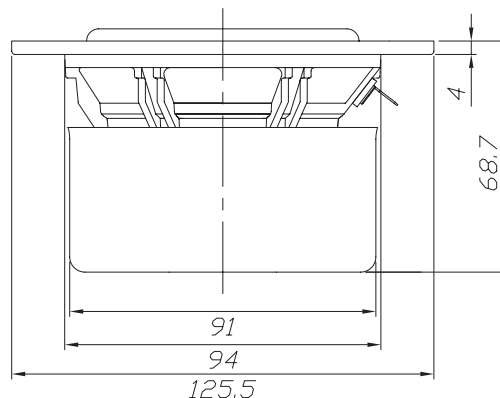


Features

- Lightweight black anodized aluminum cone
- Attractive 6-hole cast frame
- Advanced low distortion motor design
- Fully shielded magnetic structure
- Solid aluminum phase plug
- Rubber surround

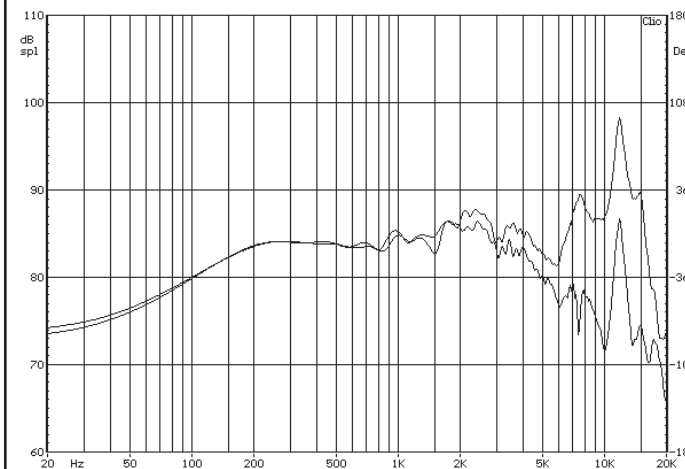
Parameters

Impedance (Ω)	8
Re (Ω)	6.3
Le (mH) @ 1 kHz	0.72
Fs (Hz)	82.1
Qms	3.31
Qes	0.67
Qts	0.56
Mms (g)	4.12
Cms (mm/N)	0.91
Sd (cm ²)	52.8
Vd (liters)	14.8
BL (Tm)	4.49
VAS (liters)	3.6
XMAX (mm)	2.8
VC Diameter (mm)	25
SPL (dB@1W/1m)	86.5
RMS Power Handling (w)	30
Usable Frequency Range (Hz)	70 - 4000



Note: All dimensions in mm.

Frequency Response



Note: Due to testing limitations, response below 200 Hz is not an actual representation.

Impedance/Phase

