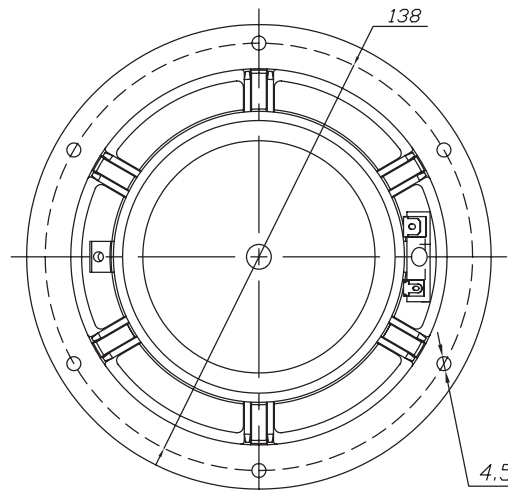
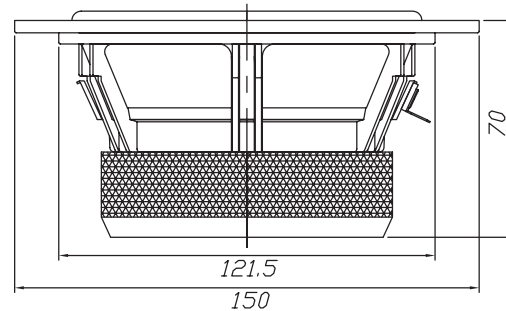


**Features**

- Lightweight black anodized aluminum cone
- 4 ohm nominal impedance
- Attractive 6-hole cast frame
- Advanced low distortion motor design
- Solid aluminum phase plug
- Rubber surround

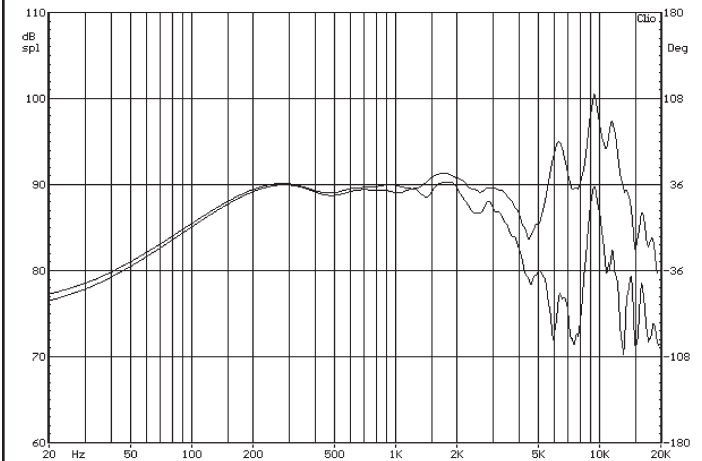
**Parameters**

Impedance ( $\Omega$ )	4
Re ( $\Omega$ )	2.9
Le (mH) @ 1 kHz	0.47
Fs (Hz)	51.8
Qms	2.67
Qes	0.47
Qts	0.40
Mms (g)	7.82
Cms (mm/N)	1.21
Sd (cm <sup>2</sup> )	84.9
Vd (liters)	37.4
BL (Tm)	4.05
VAS (liters)	12.2
XMAX (mm)	4.4
VC Diameter (mm)	25
SPL (dB@1W/1m)	89.0
RMS Power Handling (w)	40
Usable Frequency Range (Hz)	50 - 3000



Note: All dimensions in mm.

**Frequency Response**



Note: Due to testing limitations, response below 200 Hz is not an actual representation.

**Impedance/Phase**

