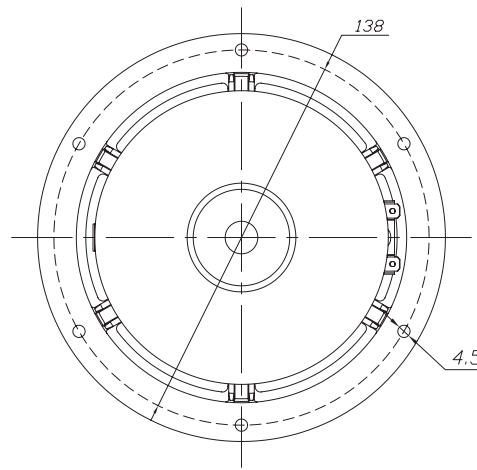
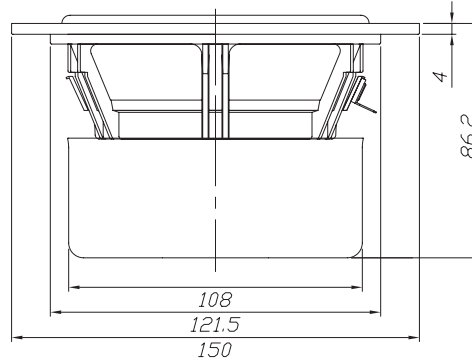


Features

- Lightweight black anodized aluminum cone
- Fully shielded magnetic structure
- Attractive 6-hole cast frame
- Advanced low distortion motor design
- Solid aluminum phase plug
- Rubber surround

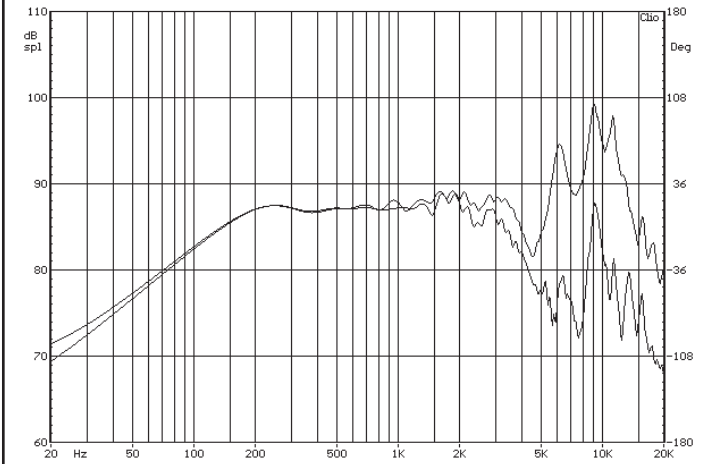
Parameters

| | |
|-----------------------------|-----------|
| Impedance (Ω) | 8 |
| Re (Ω) | 6.0 |
| Le (mH) @ 1 kHz | 0.76 |
| Fs (Hz) | 53.8 |
| Qms | 2.52 |
| Qes | 0.56 |
| Qts | 0.46 |
| Mms (g) | 7.38 |
| Cms (mm/N) | 1.18 |
| Sd (cm ²) | 84.9 |
| Vd (liters) | 34.0 |
| BL (Tm) | 5.18 |
| VAS (liters) | 12.0 |
| XMAX (mm) | 4 |
| VC Diameter (mm) | 25 |
| SPL (dB@1W/1m) | 88.0 |
| RMS Power Handling (w) | 40 |
| Usable Frequency Range (Hz) | 50 - 3500 |



Note: All dimensions in mm.

Frequency Response



Note: Due to testing limitations, response below 200 Hz is not an actual representation.

Impedance/Phase

