

**RS28AS-4**

**1-1/8" Shielded Aluminum Dome Tweeter**

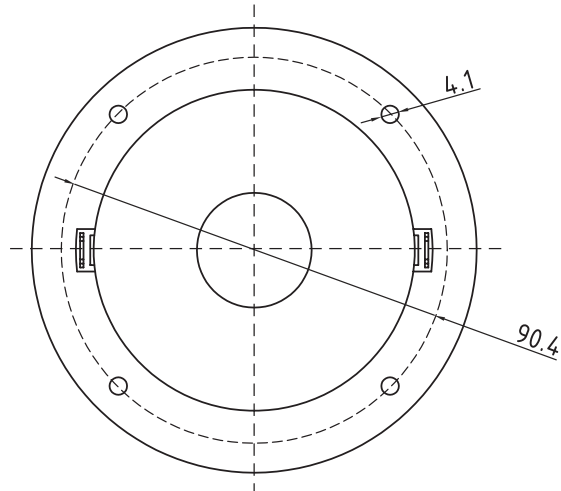
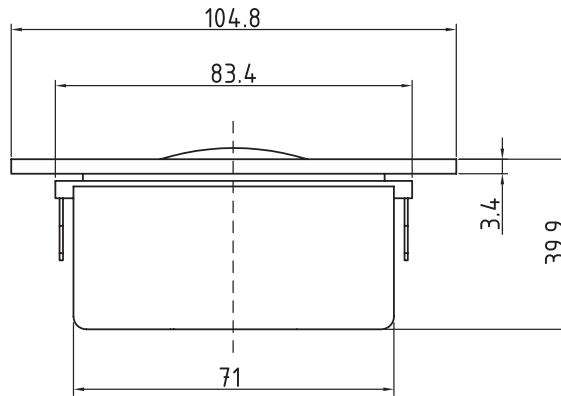
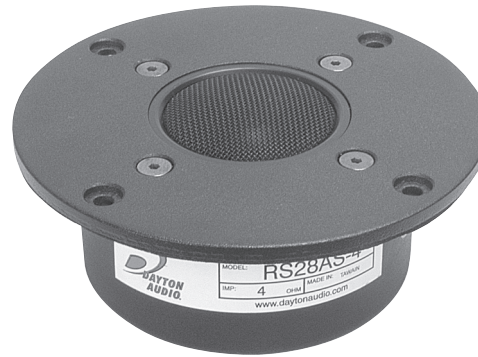


**Features**

- 1-1/8" black anodized aluminum dome
- Ultra-low distortion motor
- Magnetically shielded
- Cast aluminum face plate
- Protective mesh grill
- Tuned rear chamber
- Low free air resonance

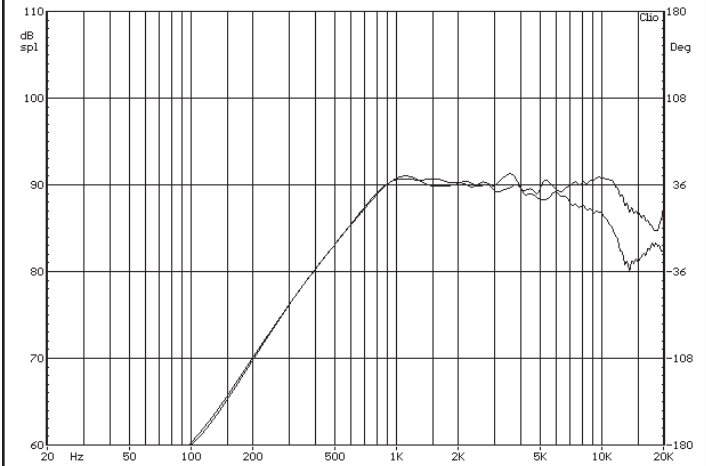
**Parameters**

Impedance ( $\Omega$ )	4
Re ( $\Omega$ )	3.0
Le (mH) @ 10 kHz	0.04
Fs (Hz)	775.9
Qms	1.36
Qes	1.25
Qts	0.65
Mms (g)	
Cms (mm/N)	
Sd (cm <sup>2</sup> )	6.6
Vd (liters)	
BL (Tm)	
VAS (liters)	
XMAX (mm)	
VC Diameter (mm)	29
SPL (dB@1W/1m)	88.0
RMS Power Handling (w)	100
Usable Frequency Range (Hz)	1600 - 20000



Note: All dimensions in mm.

**Frequency Response**



Note: Due to testing limitations, response below 200 Hz is not an actual representation.

**Impedance/Phase**

