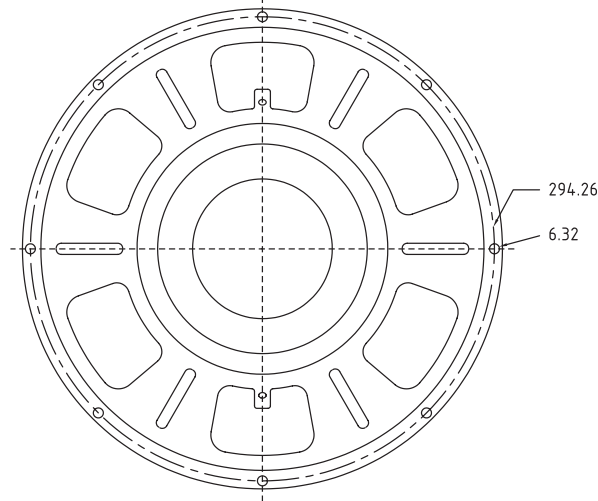
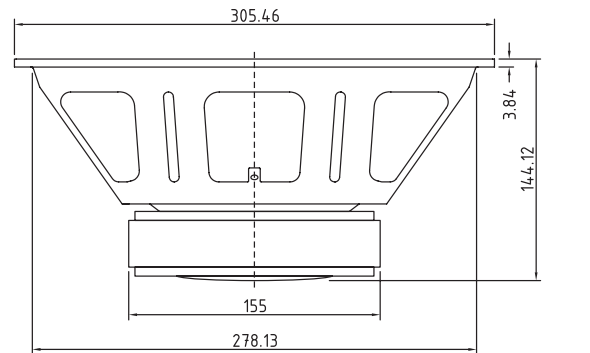


Features

- 12" poly-coated paper cone
- Rubber surround and flat spider suspension
- 2-1/2" Kapton voice coil
- Heavy magnet structure with vented pole piece
- Long excursion design
- Made in the USA

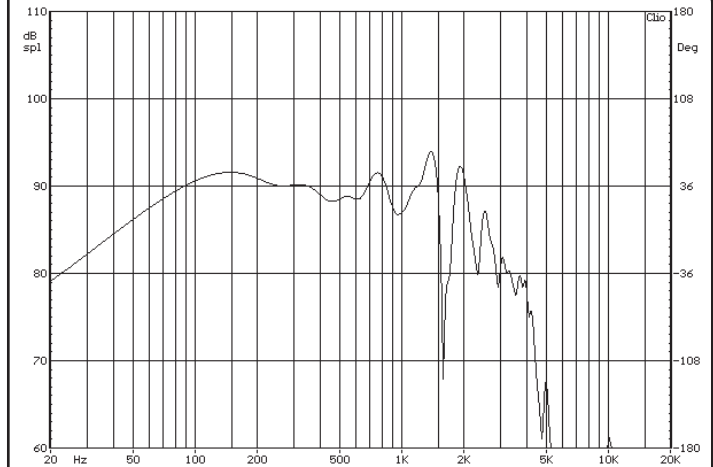
Parameters

Impedance (Ω)	8
Re (Ω)	6.0
Le (mH) @ 1 kHz	3.07
Fs (Hz)	29.6
Qms	10.55
Qes	0.36
Qts	0.35
Mms (g)	81.33
Cms (mm/N)	0.36
Sd (cm ²)	506.7
Vd (liters)	405.4
BL (Tm)	15.92
VAS (liters)	128.1
XMAX (mm)	8
VC Diameter (mm)	64
SPL (dB@1W/1m)	92.0
RMS Power Handling (W)	275
Usable Frequency Range (Hz)	25 - 2000



Note: All dimensions in mm.

Frequency Response



Note: Due to testing limitations, response below 200 Hz is not an actual representation.

Impedance/Phase

