

TIT320C-4

12" Titanic Mk III Subwoofer 4 Ohm

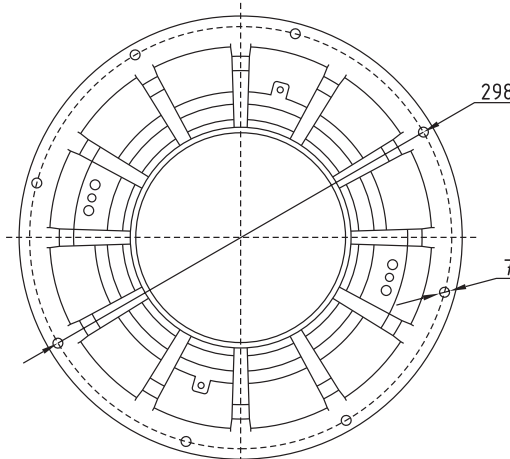
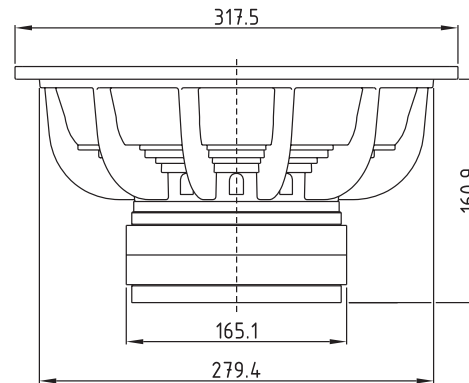


### Features

- 12" composite fiber cone
- 2-1/2" voice coil
- Advanced rubber surround
- Ventus Cooling System (VCS™)
- Copper shorting ring
- Rigid cast frame
- Optimized motor system
- Made in the USA

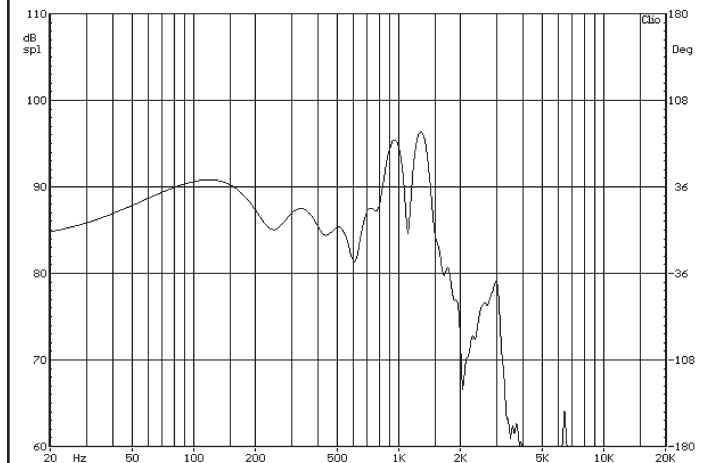
### Parameters

Impedance ( $\Omega$ )	4
Re ( $\Omega$ )	3.1
Le (mH) @ 1 kHz	2.79
Fs (Hz)	24.9
Qms	7.03
Qes	0.49
Qts	0.45
Mms (g)	225.6
Cms (mm/N)	0.18
Sd (cm <sup>2</sup> )	502.7
Vd (liters)	940.1
BL (Tm)	15.45
VAS (liters)	64.3
XMAX (mm)	18.7
VC Diameter (mm)	64
SPL (dB@1W/1m)	86.0
RMS Power Handling (w)	500
Usable Frequency Range (Hz)	22 - 500



Note: All dimensions in mm.

### Frequency Response



Note: Due to testing limitations, response below 200 Hz is not an actual representation.

### Impedance/Phase

