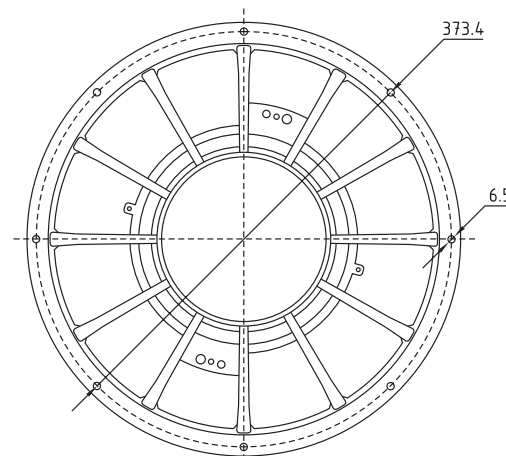
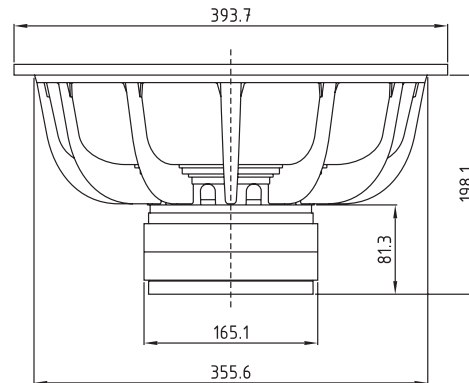


Features

- 15" composite fiber cone
- 2-1/2" voice coil
- Advanced rubber surround
- Ventus Cooling System (VCS™)
- Copper shorting ring
- Rigid cast frame
- Optimized motor system
- Made in the USA

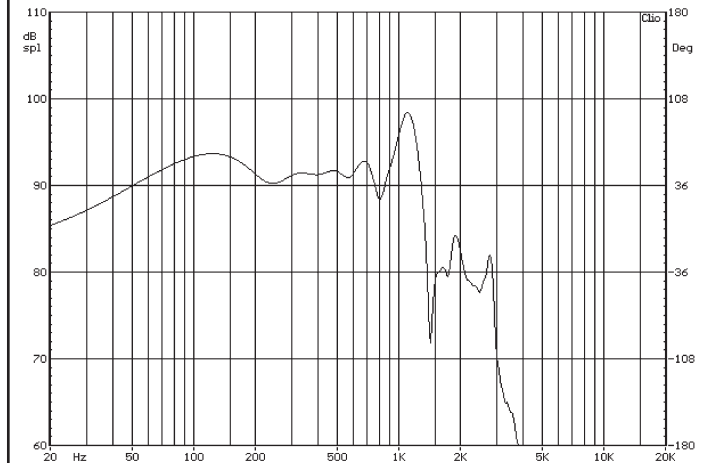
Parameters

Impedance (Ω)	4
Re (Ω)	3.8
Le (mH) @ 1 kHz	3.11
Fs (Hz)	24.2
Qms	6.75
Qes	0.52
Qts	0.49
Mms (g)	253.9
Cms (mm/N)	0.17
Sd (cm ²)	804.2
Vd (liters)	1503.9
BL (Tm)	16.80
VAS (liters)	154.5
XMAX (mm)	18.7
VC Diameter (mm)	64
SPL (dB@1W/1m)	88.7
RMS Power Handling (w)	800
Usable Frequency Range (Hz)	19 - 500



Note: All dimensions in mm.

Frequency Response



Note: Due to testing limitations, response below 200 Hz is not an actual representation.

Impedance/Phase

