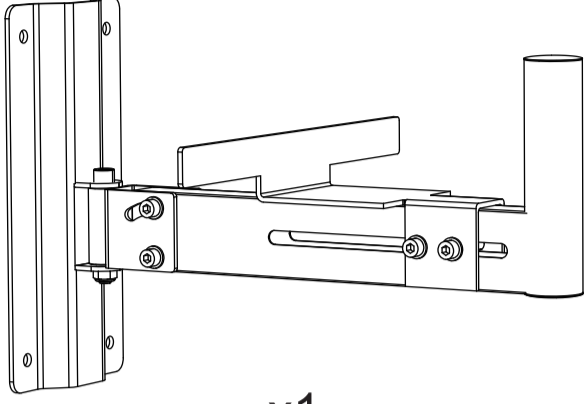
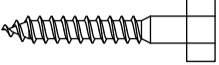


MAX Load: 66 Lbs.


**Parts**




x1




(A) M8x50 Self-tap Screw (4)



(B) 10x50 Plastic Anchor (4)

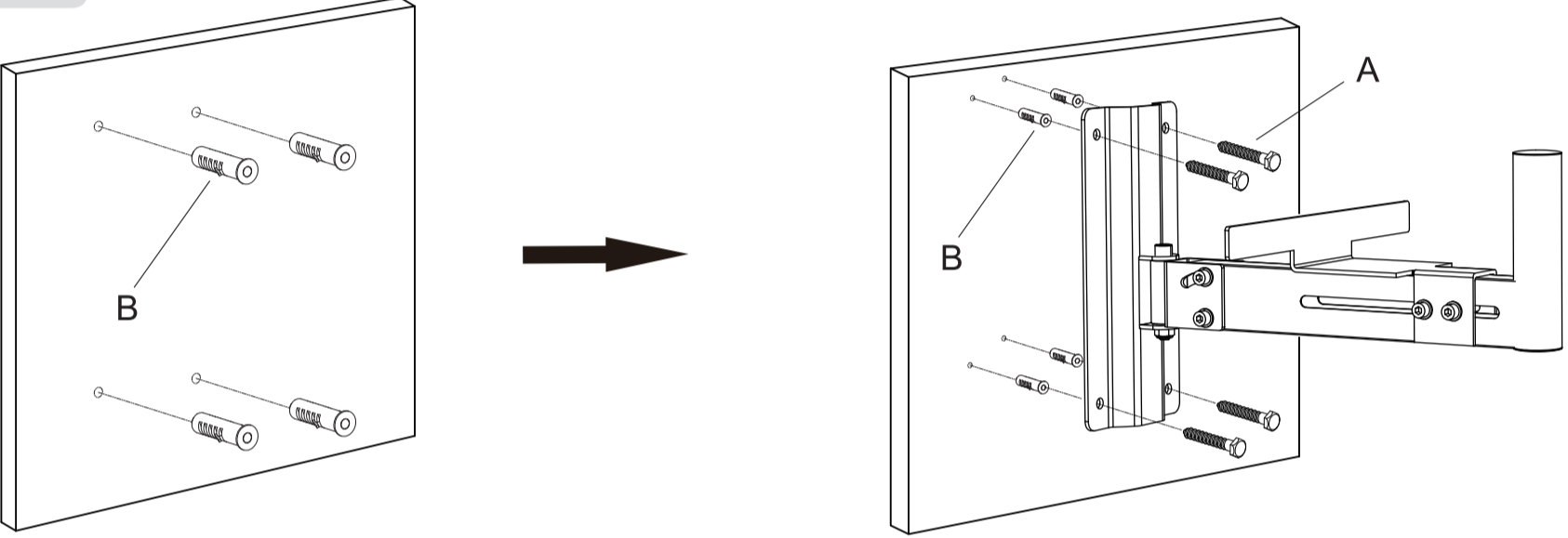


(C) 6mm Wrench (1)



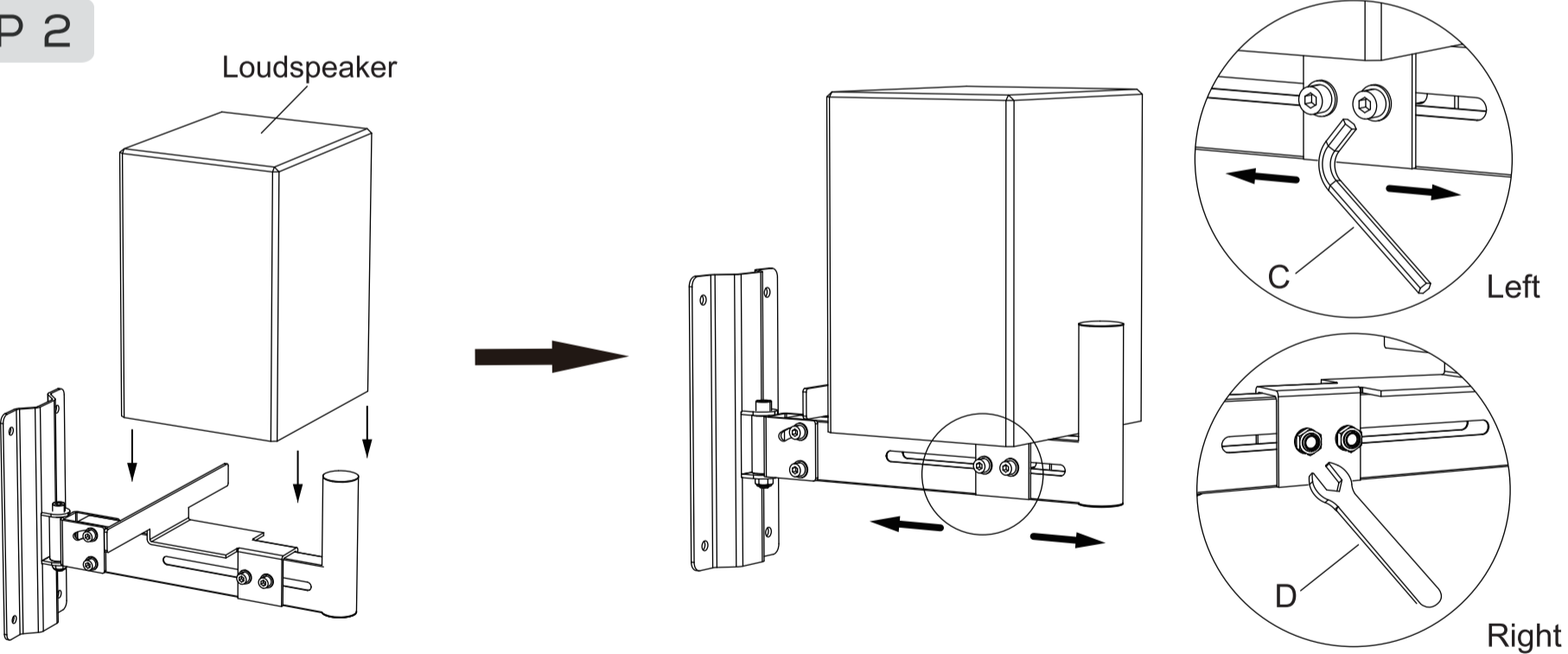
(D) 8mm Wrench (1)

**STEP 1**



**STEP 2**

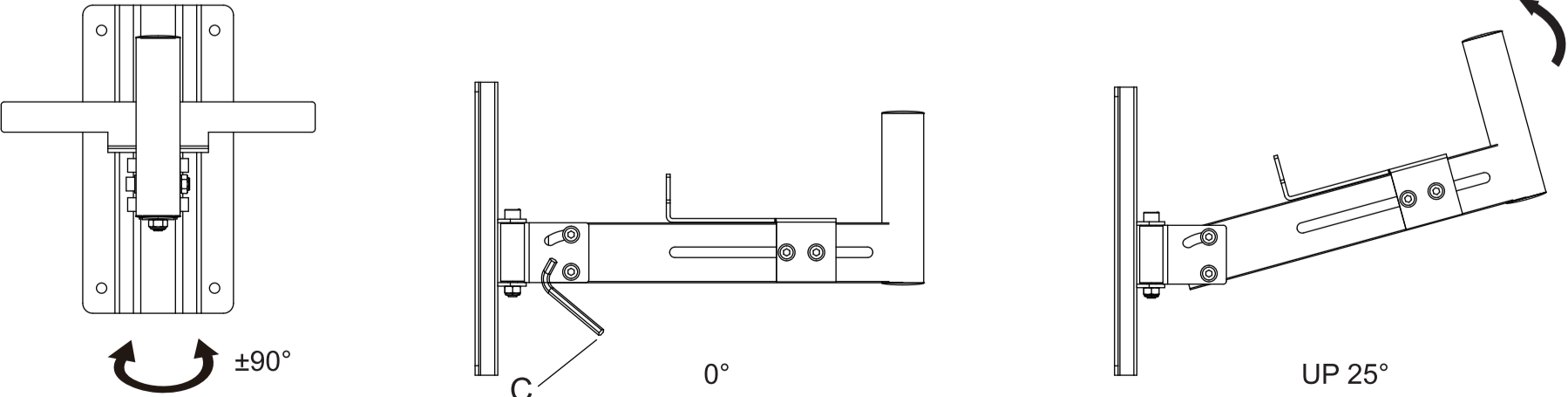
Loudspeaker



Left

Right

**STEP 3**



±90°

0°

UP 25°