

## 1. Technical Parameter

MAX VESA: 800x500; Maximum load: 110 Lbs.

## 2. Parts List

Please check the parts in the package in comparison with the following list, make sure all of the parts are in the package. Never use defective parts, never replace part with different specification.



(A) M6x10 screws (4)



(B) M6 nut (4)



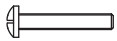
(C) 12mm Plastic Sleeve (4)



(D) Φ6x18 washer (4)



(E) M5x16 screws (4)



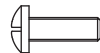
(F) M5x25 screws (4)



(G) M6x16 screws (4)



(H) M6x25 screws (4)



(I) M8x16 screws (4)

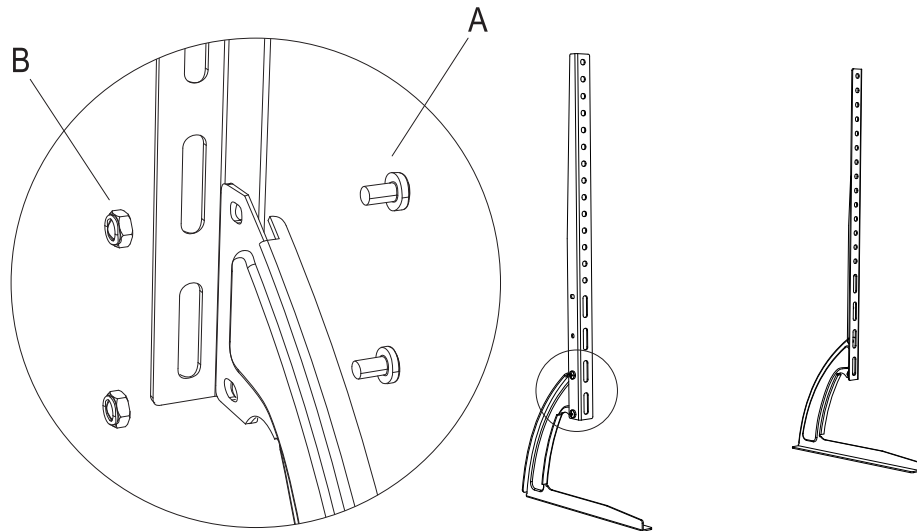


(J) M8x25 screws (4)

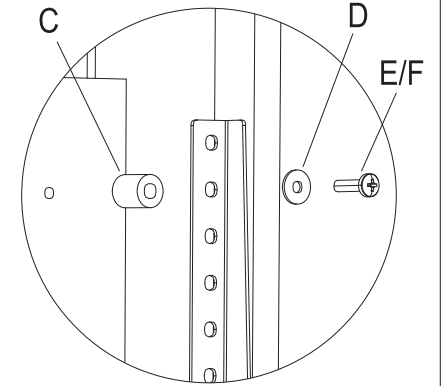
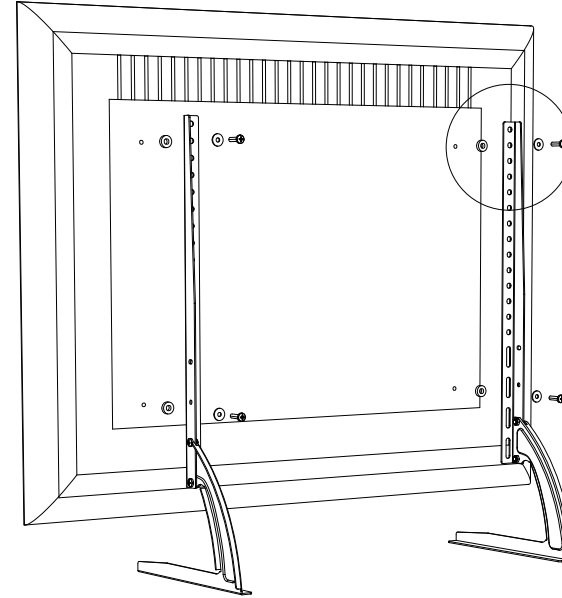
## 3. Installation and operation instructions

Note: please read the instructions carefully before installation!

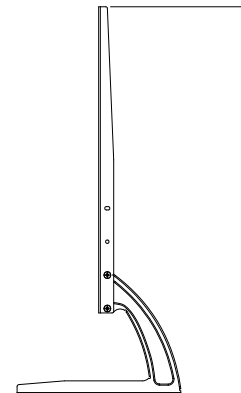
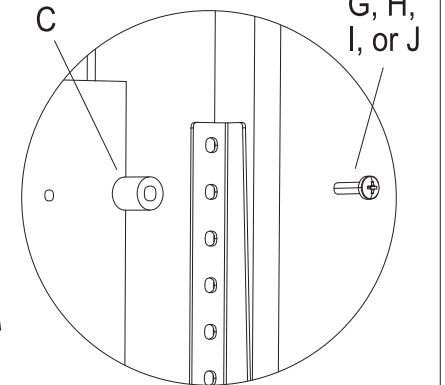
### STEP-1



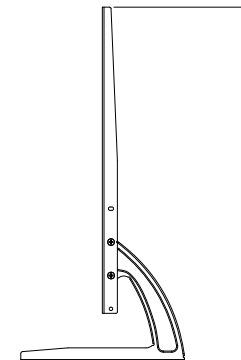
### STEP-2



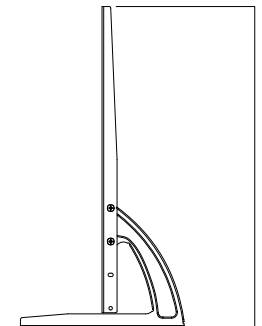
or



690mm



630mm



570mm