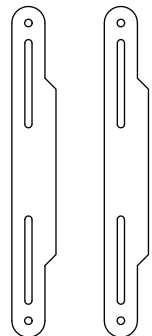



**PARTS LIST**

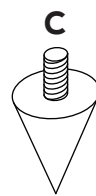
- A**




2x Outrigger Base
- B**




4x Locking Knob
- C**




4x Speaker Spike
- D**



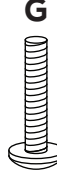
4x Floor Disc
- E**




4x Foam Pad
- F**




4x Wood Screw
- G**



4x Machine Screw
- H**



4x Washer
- I**



4x Insert