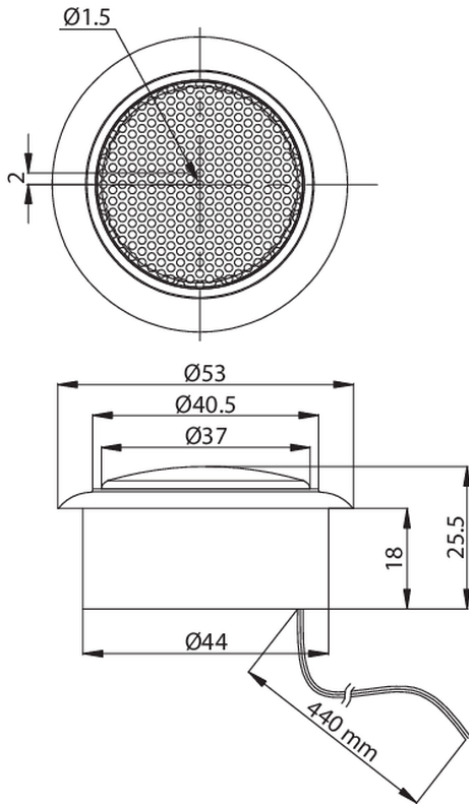




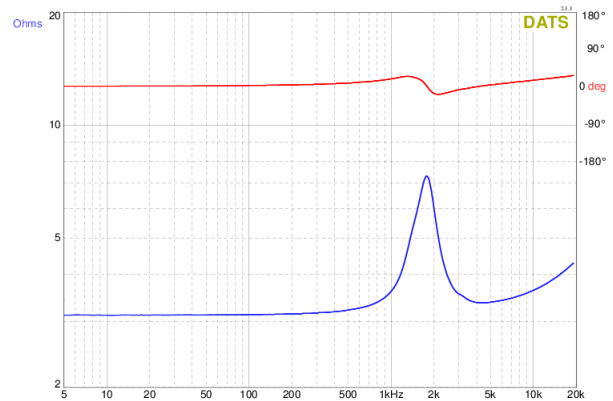
AN25Ti-4 1" Titanium Dome Neodymium Car Audio Tweeter Pair 4 Ohm



PARAMETERS

Impedance	4 ohms
Re	3.11 ohms
Le	0.03 mH
Fs	1744 Hz
Qms	3.04
Qes	2.28
Qts	1.30
Mms	N/A
Cms	N/A
Sd	N/A
Vd	N/A
BL	N/A
Vas	N/A
Xmax	N/A
VC Diameter	25.4 mm
SPL	95.5 dB 2.83V/1m
RMS Power Handling	40 watts
Usable Frequency Range (Hz)	3,000 - 20,000 Hz

IMPEDANCE/PHASE

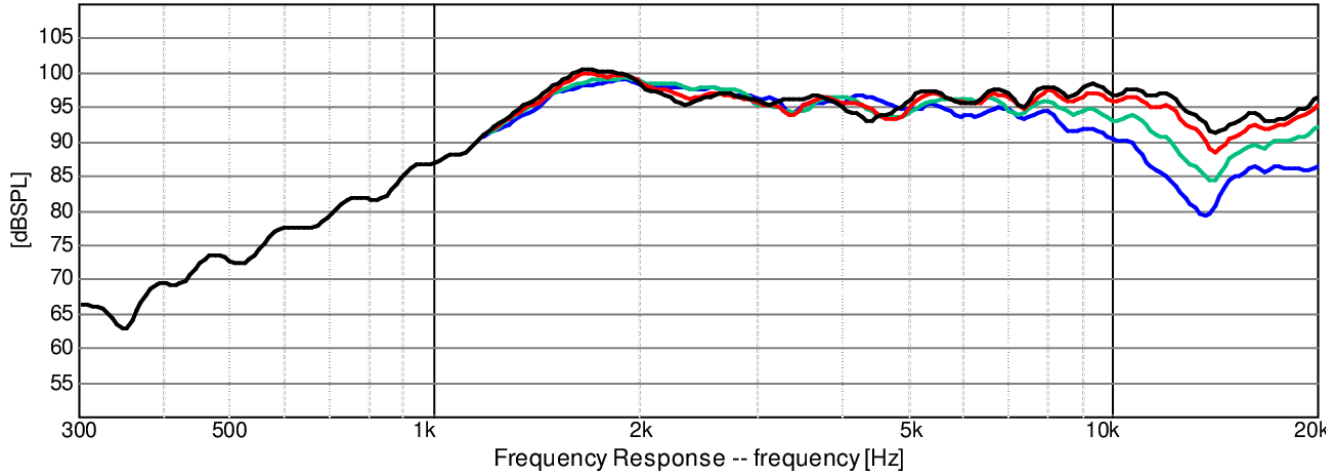


FEATURES

- Exceptionally flat treble response for accurate high frequency reproduction
- High-strength neodymium motor provides low distortion and compact size
- Ultra-high sensitivity of 95 dB to deliver high output with modest power
- 1" titanium diaphragm for incredibly accuracy and great off-axis response
- 1" diameter voice coil for excellent power handling
- All hardware included to permit flush or surface mounting

FREQUENCY RESPONSE

OMNIMIC



OmniMic

Note: 1/24th octave smoothing - nearfield response included in graph below 450 Hz.

Black = 0°
Red = 15°
Green = 30°
Blue = 45°