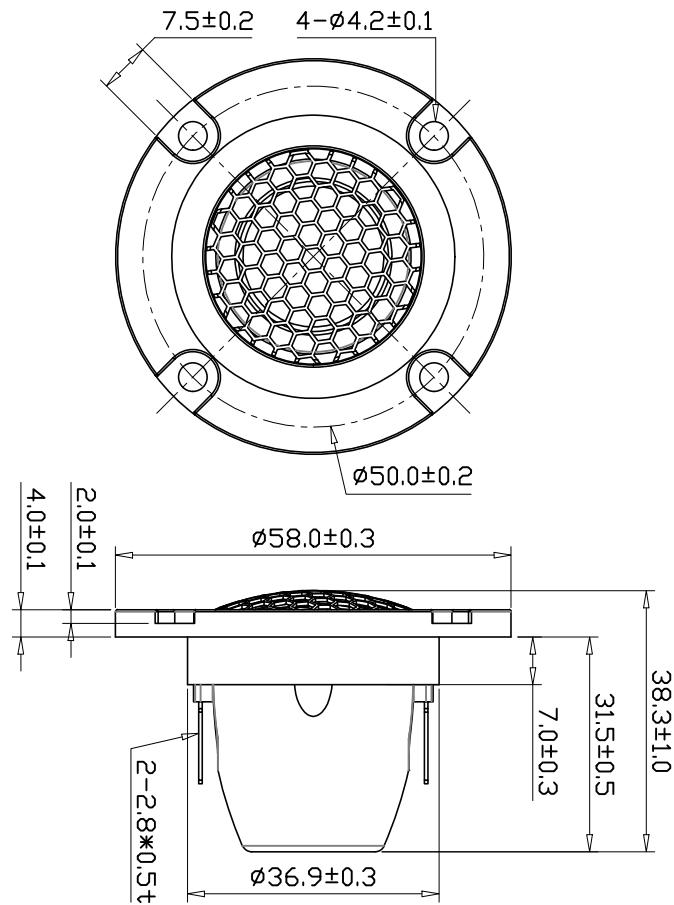




3/4" Carbon Fiber Dome Neodymium Tweeter 4 Ohm

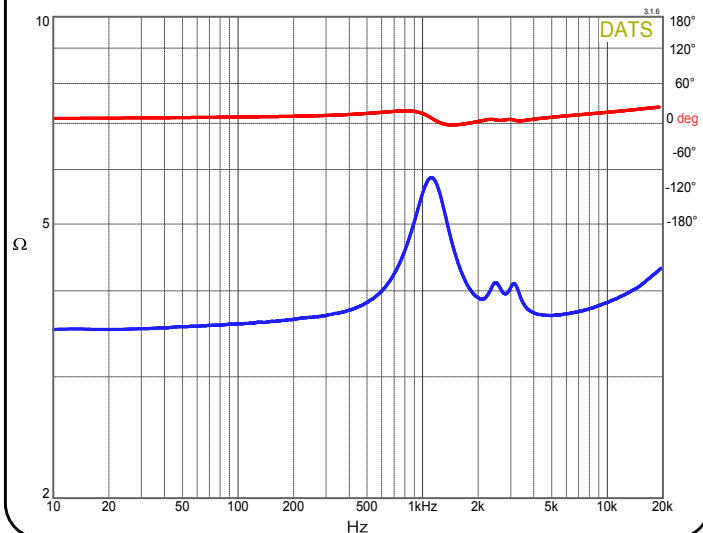
CF18N-4



PARAMETERS

Impedance	4 ohms
Re	3.54 ohms
Le @ 10 kHz	0.11 mH
Fs	1100 Hz
Qms	2.0
Qes	3.1
Qts	1.2
Mms	N/A
Cms	N/A
Sd	2.55 cm ²
Vd	N/A
BL	N/A
Vas	N/A
Xmax	N/A
VC Diameter	18 mm
SPL	90 dB@2.83V/1m
RMS Power Handling (AES 426B)	40 watts
Usable Frequency Range (Hz)	2,500 – 20,000 Hz

IMPEDANCE/PHASE



FEATURES

- Woven carbon fiber dome for detailed response with controlled resonance
- High power neodymium magnet allows a compact design without sacrificing efficiency
- Damped rear chamber lowers Fs and further tames unwanted resonances
- Ferrofluid cooled voice coil improves power handling
- Rigid cast aluminum faceplate provides a solid and air-tight mounting flange
- Integrated grill protects the dome from foreign objects and curious fingers

FREQUENCY RESPONSE

