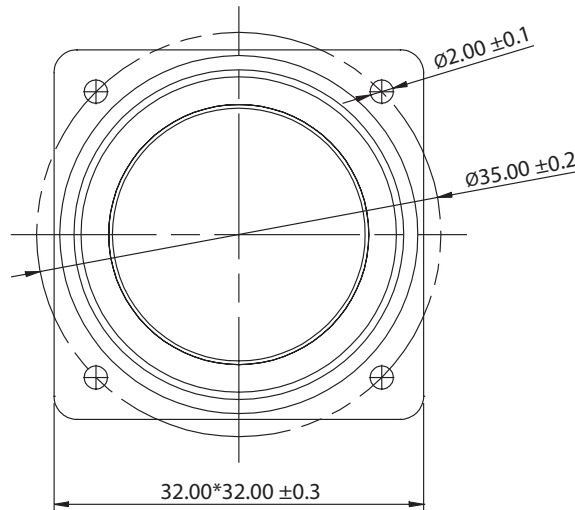
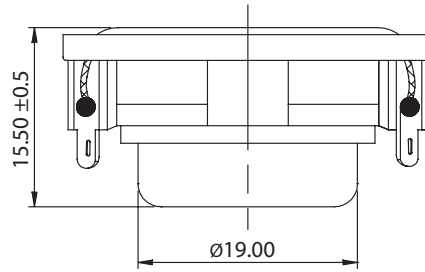


**Features**

- Black anodized aluminum cone
- Double neodymium magnet motor
- Rubber surround
- Molded plastic frame
- Compact design
- Conventional mounting
- Excellent sonic detail

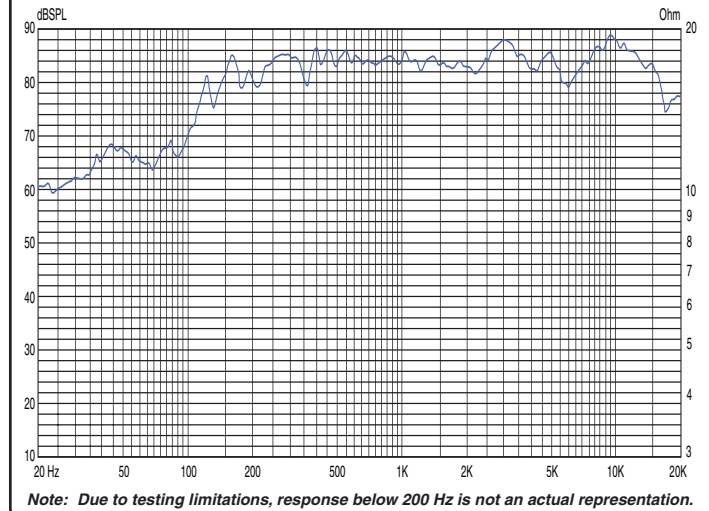
**Parameters**

Impedance ( $\Omega$ )	4
Re ( $\Omega$ )	3.57
Le (mH) @ 1 kHz	0.15
Fs (Hz)	262.1
Qms	2.86
Qes	1.24
Qts	0.86
Mms (g)	0.52
Cms (mm/N)	0.688
Sd (cm <sup>2</sup> )	3.917
Vd (cm <sup>3</sup> )	0.002
BL (Tm)	1.59
VAS (liters)	0.015
XMAX (mm)	0.5
VC Diameter (mm)	12.5
SPL (dB@1W/1m)	78
RMS Power Handling (w)	2.0
Usable Frequency Range (Hz)	240 - 20,000



Note: All dimensions in mm.

**Frequency Response**



**Impedance/Phase**

