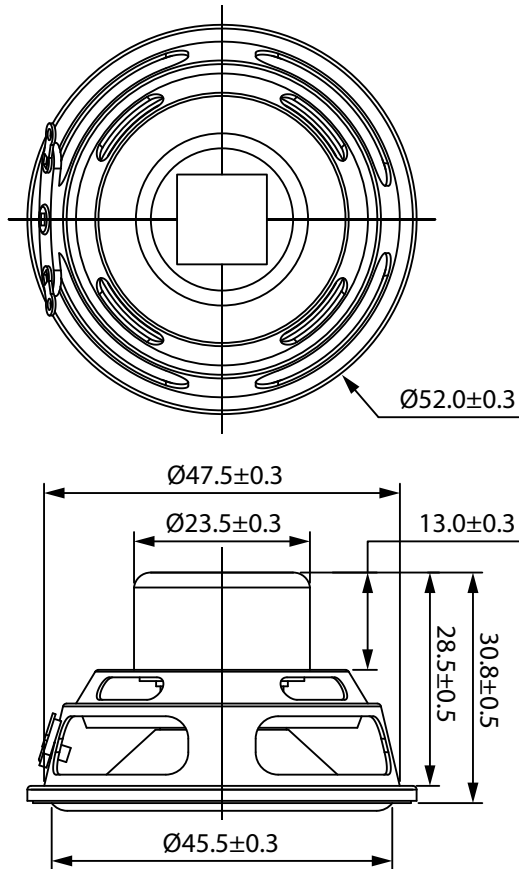




2" Dual Neo Full-Range 5W 4 ohm

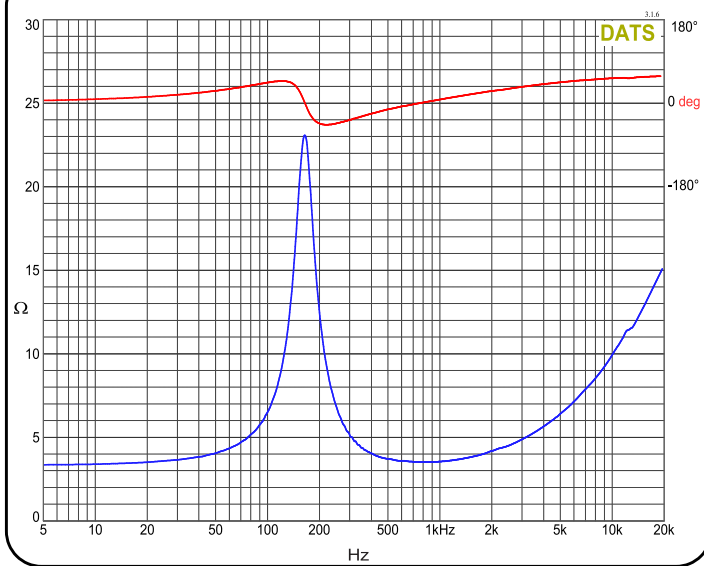
CE52N-4



PARAMETERS

Impedance	4 ohms
Re	3.3 ohms
Le	0.12 mH @ 10kHz
Fs	164 Hz
Qms	4.08
Qes	0.69
Qts	0.59
Mms	1.3 g
Cms	0.74 mm/N
Sd	12.6 cm ²
Vd	1.07 cm ³
BL	2.51 Tm
Vas	0.17 liters
Xmax	0.85 mm
VC Diameter	16 mm
SPL	85 dB @ 2.83V/1m
RMS Power Handling (AES 426B)	5 watts
Usable Frequency Range (Hz)	120 - 20,000 Hz

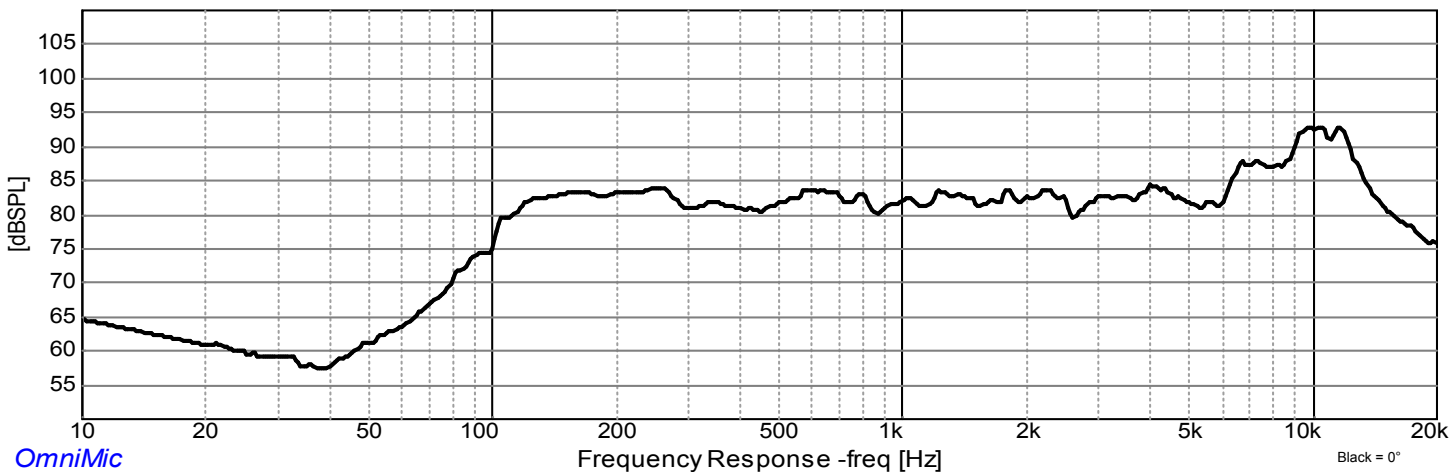
IMPEDANCE/PHASE



FEATURES

- Dual Neodymium motor structure for increased output
- Delivers crisp, clear audio, ensuring an immersive listening experience
- High-quality audio solutions without breaking the bank, ideal for budget-conscious projects
- Suitable for commercial installations, DIY projects, art exhibits, and more

FREQUENCY RESPONSE



Note: 1/24th octave smoothing - near field response included in graph below 450 Hz.