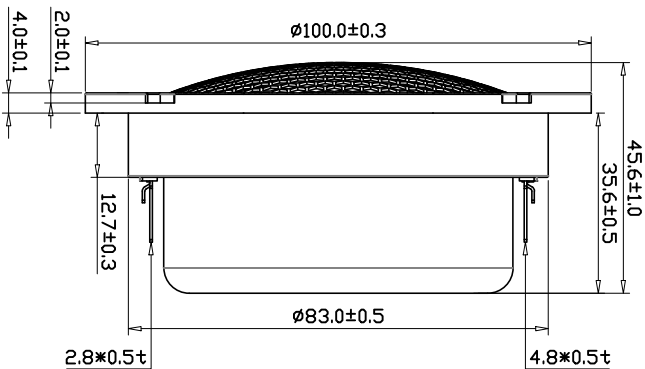
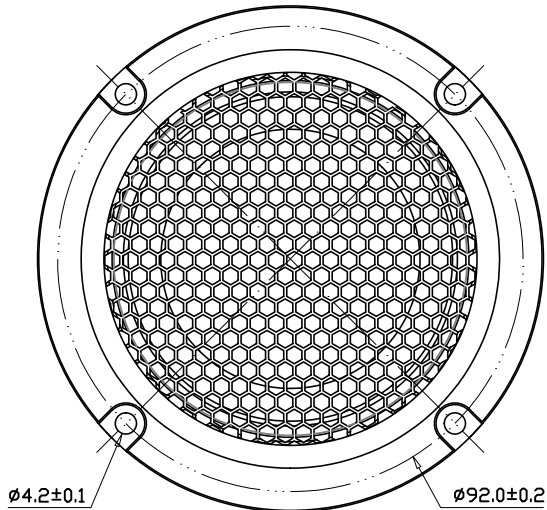




2" Carbon Fiber Dome Midrange Matched Pair 4 Ohm

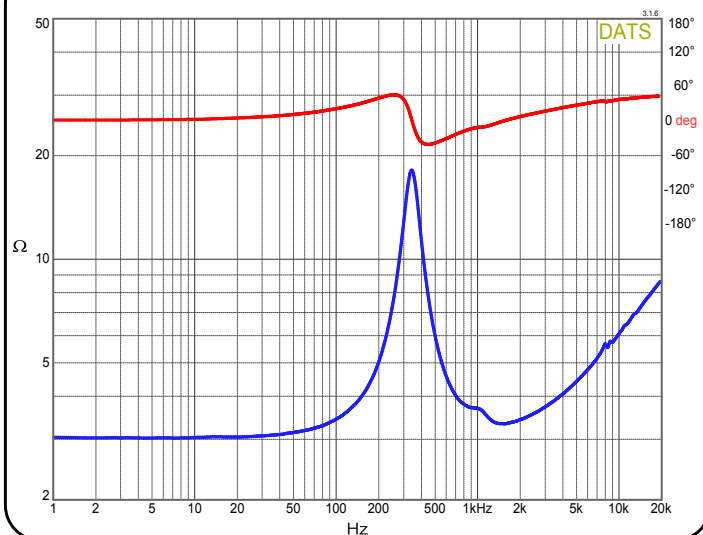
CF50N-4MP



PARAMETERS

Impedance	4 ohms
Re	3.0 ohms
Le @ 10 kHz	0.06 mH
Fs	345 Hz
Qms	4.09
Qes	0.82
Qts	0.68
Mms	N/A
Cms	N/A
Sd	19.6 cm ²
Vd	N/A
BL	N/A
Vas	N/A
Xmax	N/A
VC Diameter	50 mm
SPL	91.5 dB@2.83V/1m
RMS Power Handling (AES 426B)	50 watts
Usable Frequency Range (Hz)	500 – 6,000 Hz

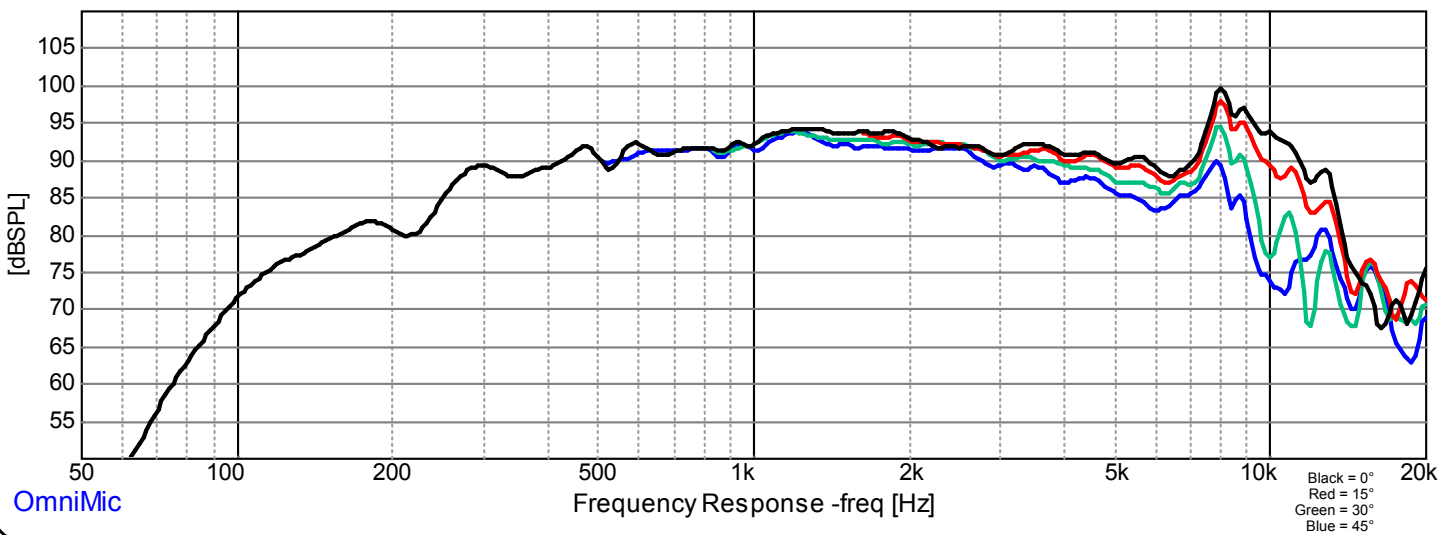
IMPEDANCE/PHASE



FEATURES

- Matched frequency response pairs ensure pinpoint imaging and soundstage
- Woven carbon fiber dome and rubber surround deliver accurate response
- Powerful neodymium motor allows compact size and delivers high efficiency
- Vented aluminum voice coil former helps dissipate heat for lower power compression
- Rigid cast aluminum faceplate provides a solid and air-tight mounting flange
- Integrated grill protects the dome from foreign objects and curious fingers

FREQUENCY RESPONSE



OmniMic