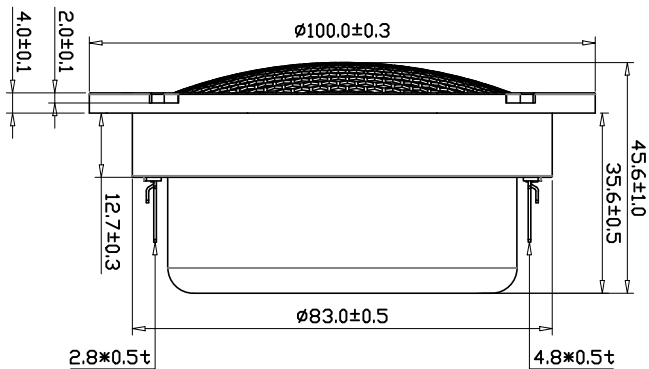
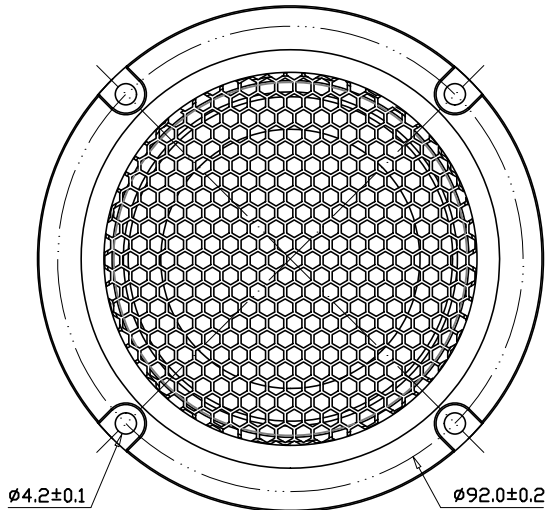




## 2" Carbon Fiber Dome Midrange 4 Ohm

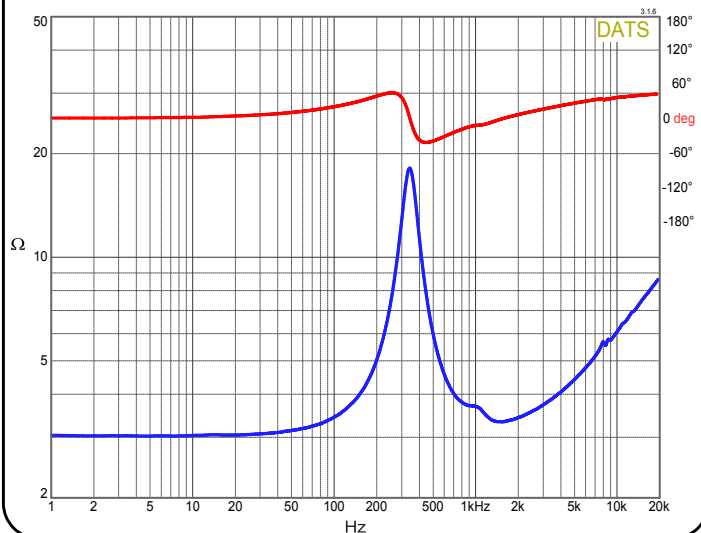
CF50N-4



### PARAMETERS

|                               |                      |
|-------------------------------|----------------------|
| Impedance                     | 4 ohms               |
| Re                            | 3.0 ohms             |
| Le @ 10 kHz                   | 0.06 mH              |
| Fs                            | 345 Hz               |
| Qms                           | 4.09                 |
| Qes                           | 0.82                 |
| Qts                           | 0.68                 |
| Mms                           | N/A                  |
| Cms                           | N/A                  |
| Sd                            | 19.6 cm <sup>2</sup> |
| Vd                            | N/A                  |
| BL                            | N/A                  |
| Vas                           | N/A                  |
| Xmax                          | N/A                  |
| VC Diameter                   | 50 mm                |
| SPL                           | 91.5 dB@2.83V/1m     |
| RMS Power Handling (AES 426B) | 50 watts             |
| Usable Frequency Range (Hz)   | 500 – 6,000 Hz       |

### IMPEDANCE/PHASE



### FEATURES

- Woven carbon fiber dome and rubber surround deliver accurate response
- Powerful neodymium motor allows compact size and delivers high efficiency
- Damped rear chamber lowers Fs and helps smooth the response
- Vented aluminum voice coil former helps dissipate heat for lower power compression
- Rigid cast aluminum faceplate provides a solid and air-tight mounting flange
- Integrated grill protects the dome from foreign objects and curious fingers

### FREQUENCY RESPONSE

