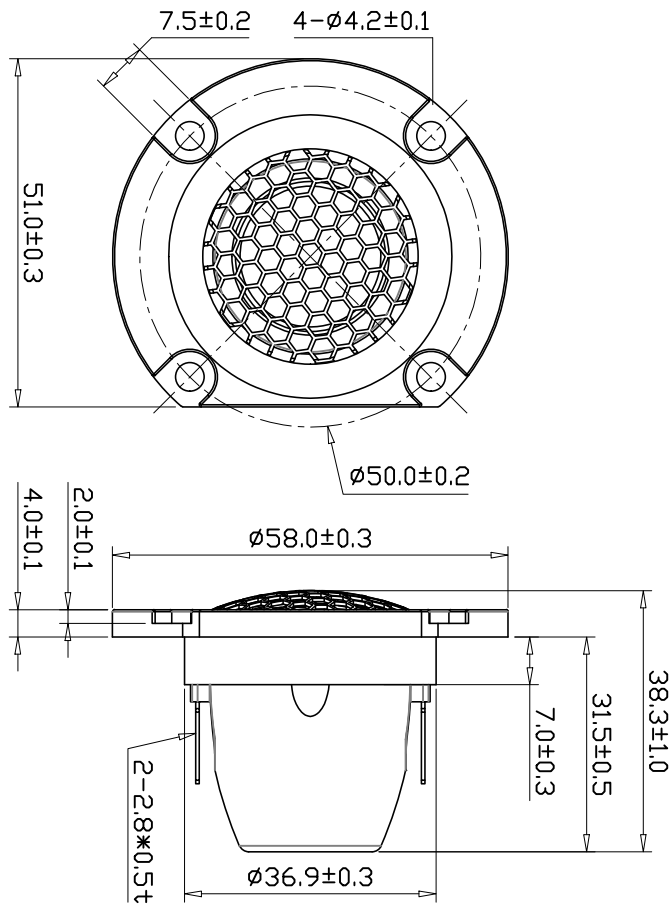
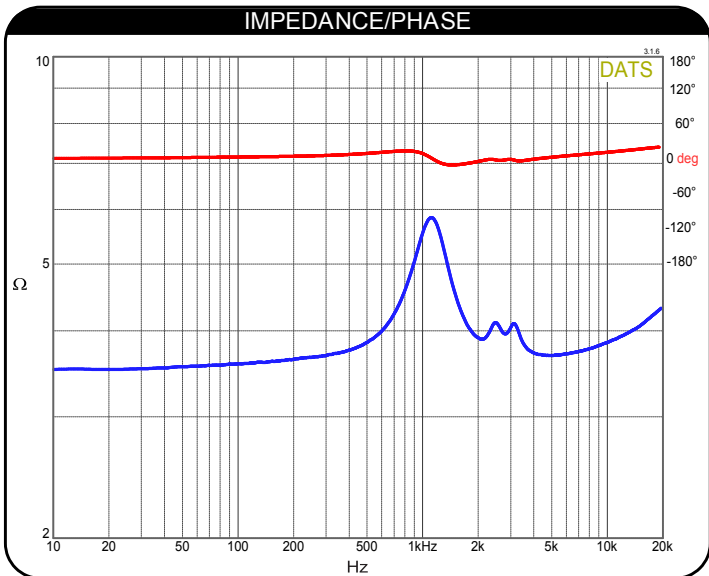




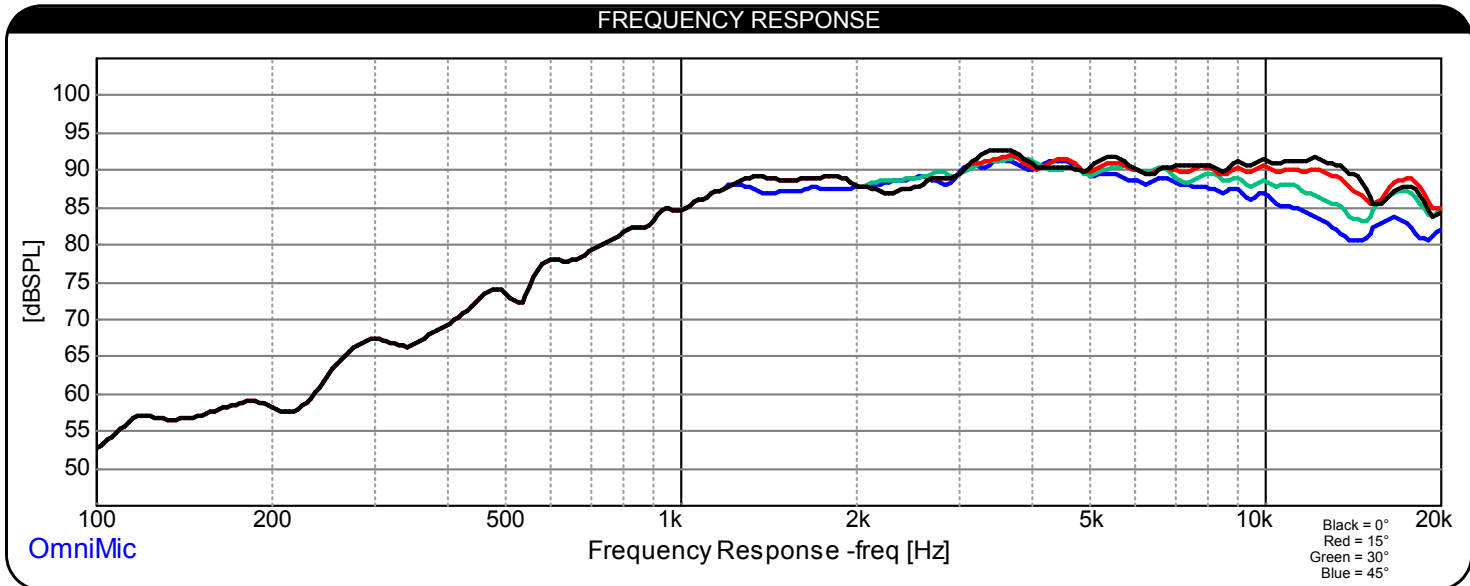
3/4" and 2" Carbon Fiber Tweeter/Mid Combo Matched Sets 4 Ohm
CFCOMBO-4MP



PARAMETERS	
Impedance	4 ohms
Re	3.54 ohms
Le @ 10 kHz	0.11 mH
Fs	1100 Hz
Qms	2.0
Qes	3.1
Qts	1.2
Mms	N/A
Cms	N/A
Sd	2.55 cm ²
Vd	N/A
BL	N/A
Vas	N/A
Xmax	N/A
VC Diameter	18 mm
SPL	90 dB@2.83V/1m
RMS Power Handling (AES 426B)	40 watts
Usable Frequency Range (Hz)	2,500 – 20,000 Hz

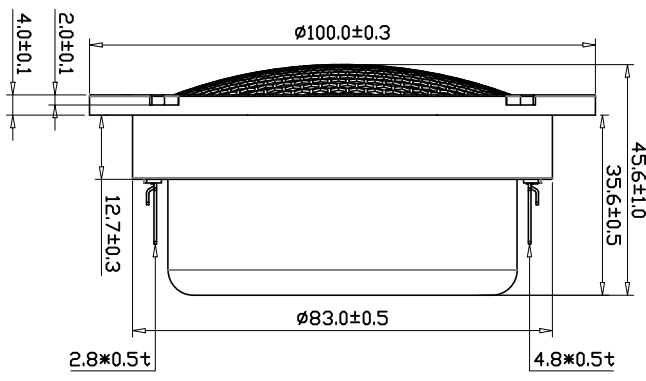
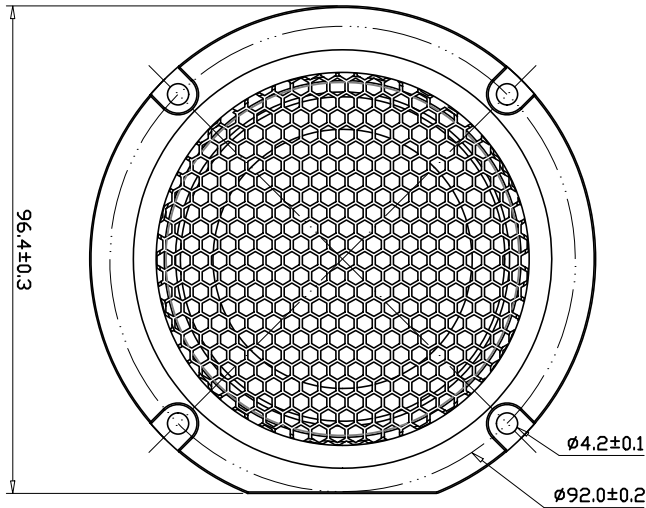


- FEATURES**
- Woven carbon fiber dome for detailed response with controlled resonance
 - High power neodymium magnet allows a compact design without sacrificing efficiency
 - Damped rear chamber lowers Fs and further tames unwanted resonances
 - Ferrofluid cooled voice coil improves power handling
 - Rigid cast aluminum faceplate provides a solid and air-tight mounting flange
 - Integrated grill protects the dome from foreign objects and curious fingers

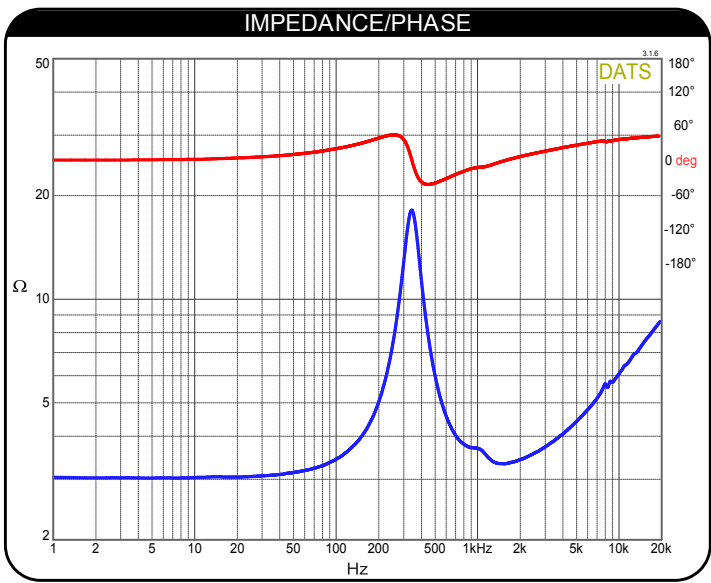




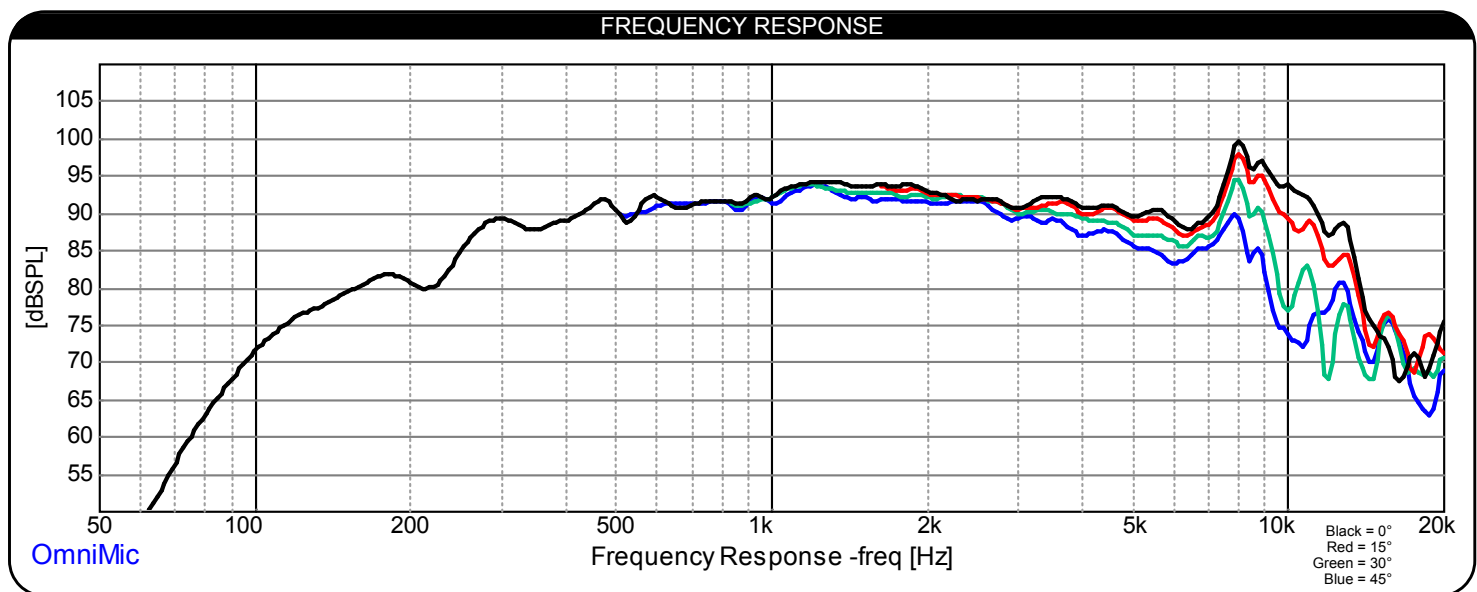
3/4" and 2" Carbon Fiber Tweeter/Mid Combo Matched Sets 4 Ohm
CFCOMBO-4MP



PARAMETERS	
Impedance	4 ohms
Re	3.0 ohms
Le @ 10 kHz	0.06 mH
Fs	345 Hz
Qms	4.09
Qes	0.82
Qts	0.68
Mms	N/A
Cms	N/A
Sd	19.6 cm ²
Vd	N/A
BL	N/A
Vas	N/A
Xmax	N/A
VC Diameter	50 mm
SPL	91.5 dB@2.83V/1m
RMS Power Handling (AES 426B)	50 watts
Usable Frequency Range (Hz)	500 – 6,000 Hz



- FEATURES**
- Woven carbon fiber dome and rubber surround deliver accurate response
 - Powerful neodymium motor allows compact size and delivers high efficiency
 - Damped rear chamber lowers Fs and helps smooth the response
 - Vented aluminum voice coil former helps dissipate heat for lower power compression
 - Rigid cast aluminum faceplate provides a solid and air-tight mounting flange
 - Integrated grill protects the dome from foreign objects and curious fingers



OmniMic

Black = 0°
Red = 15°
Green = 30°
Blue = 45°