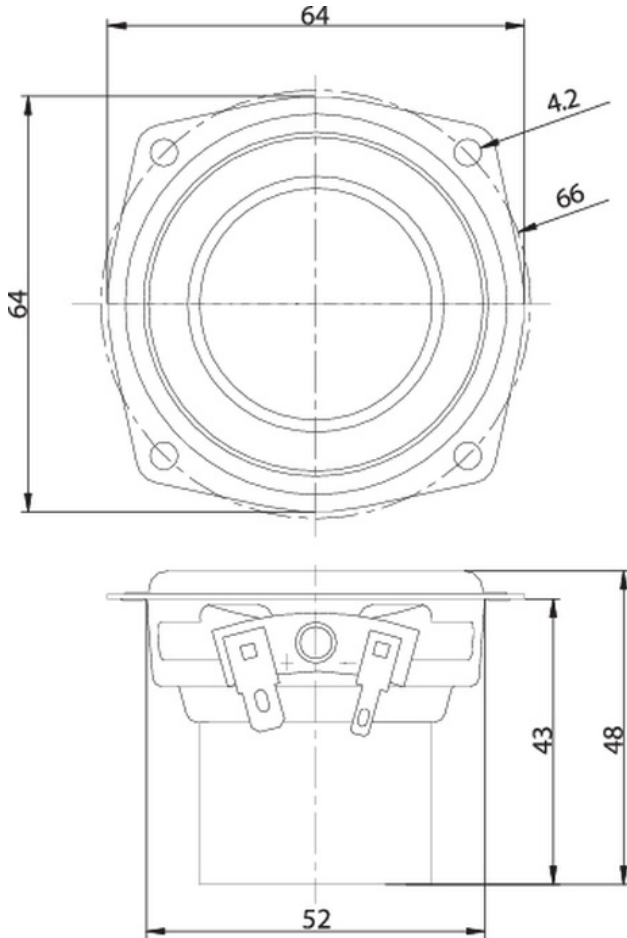




2-1/2" Aluminum Cone Full-Range Driver 8 Ohm

ND65-8



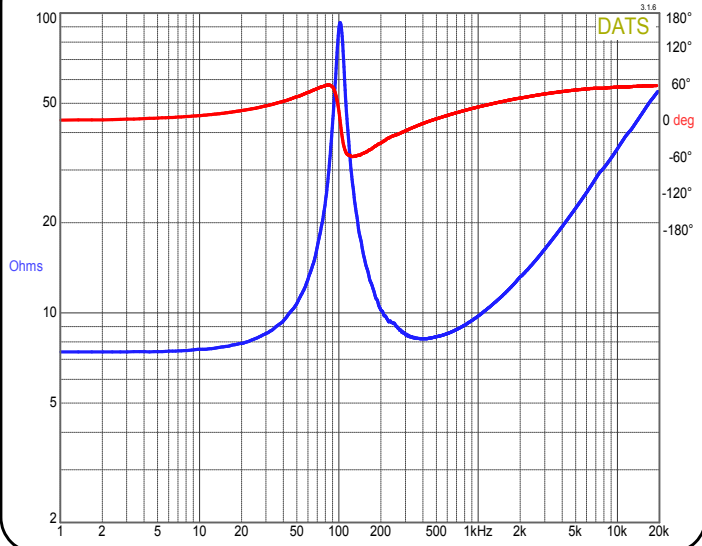
PARAMETERS

Impedance	8 ohms
Re	7.4 ohms
Le @ 1 kHz	0.61 mH
Fs	102 Hz
Qms	8.23
Qes	0.71
Qts	0.65
Mms	2.63 g
Cms	0.93 mm/N
Sd	16.5 cm ²
Vd	5.8 cm ³
BL	4.2 Tm
Vas	0.36 liters
Xmax	3.5 mm
VC Diameter	19 mm
SPL	79.6 dB@2.83V/1m
RMS Power Handling (AES 426B)	15 watts
Usable Frequency Range (Hz)	80 – 20,000 Hz

FEATURES

- Rubber-edged aluminum alloy cone
- Large excursion capability
- Self-shielded Neo-Balanced motor structure
- 4-layer underhung voice coil with polyimide former
- High power handling

IMPEDANCE/PHASE



FREQUENCY RESPONSE

