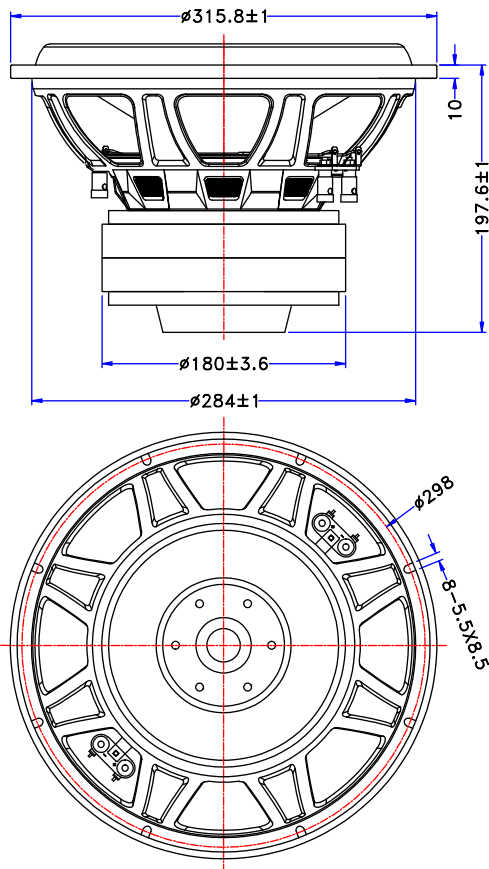




12" Max-X High Excursion DVC Subwoofer 2 Ohms Per Coil

MX12-22



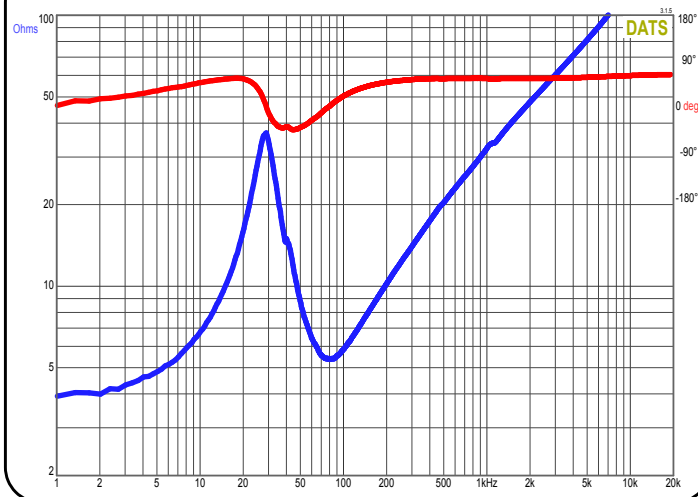
PARAMETERS

Impedance	2+2 ohms
Re	3.95 ohms
Le	5.09 mH @ 1 kHz
Fs	28.8 Hz
Qms	3.25
Qes	0.39
Qts	0.35
Mms	252 g
Cms	0.12 mm/N
Sd	514.7 cm ²
Vd	797.7 cm ³
BL	21.5 Tm
Vas	45.7 liters
Xmax	15.5 mm
XBL (Klippel verified excursion @ 70% BL)	18.8 mm
VC Diameter	2.5"
SPL	89.4 @ 2.83V/1m
RMS Power Handling	600 watts
Usable Frequency Range	23 - 450 Hz

FEATURES

- High excursion and maximized surface area for excellent displacement capability
- Seamless dish cone is extremely rigid and durable with a sleek and modern look
- Custom tooled surround allows long throw without sacrificing cone area
- Extensive venting cools the voice coil enabling high power handling with low power compression
- Dual spiders maintain linear excursion for lower distortion even when pushed to the limit
- The dual 2 ohm voice coils give you the ability to get the most out of any amplifier

IMPEDANCE/PHASE



FREQUENCY RESPONSE

