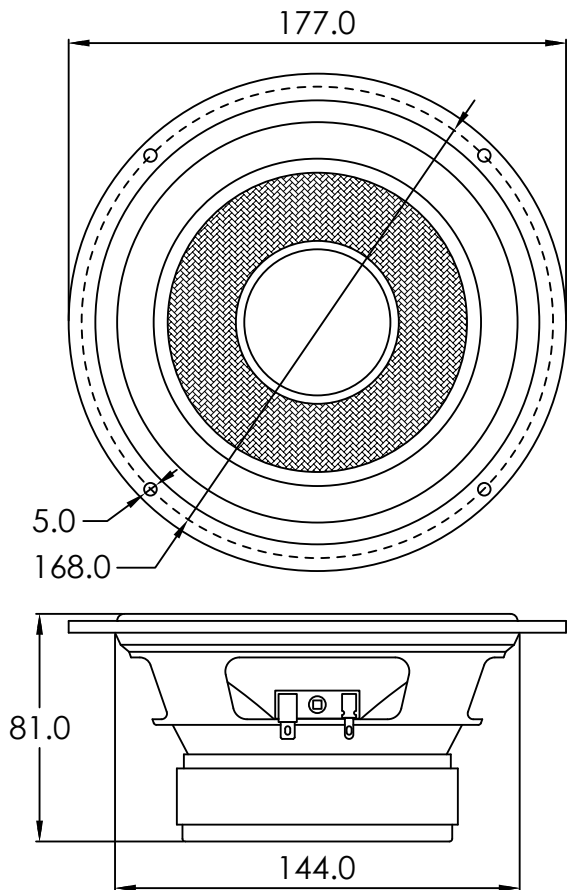




6-1/2" Glass Fiber Cone Woofer 8 Ohm

GF180-8



PARAMETERS	
Impedance	8 ohms
Re	8.0 ohms
Le	1.9 @ 1kHz
Fs	53 Hz
Qms	3.07
Qes	0.60
Qts	0.50
Mms	13.9 g
Cms	0.65 mm/N
Sd	130.2 cm ²
Vd	52.2 cm ³
BL	7.9 Tm
Vas	15.5 liters
Xmax	4 mm
VC Diameter	25 mm
SPL	87.9 @ 2.83V/1m
RMS Power Handling	40 watts
Usable Frequency Range	50 - 5,000 Hz

- FEATURES**
- Woven fiberglass cone lowers resonances for smooth response and natural sound
 - 4-layer voice coil on an aluminum former provides excellent heat dissipation
 - Rubber surround helps damp the cone improving high frequency response
 - Vented pole piece releases air trapped under the dustcap for quiet operation
 - Low-profile frame lowers diffraction for surface mount applications

