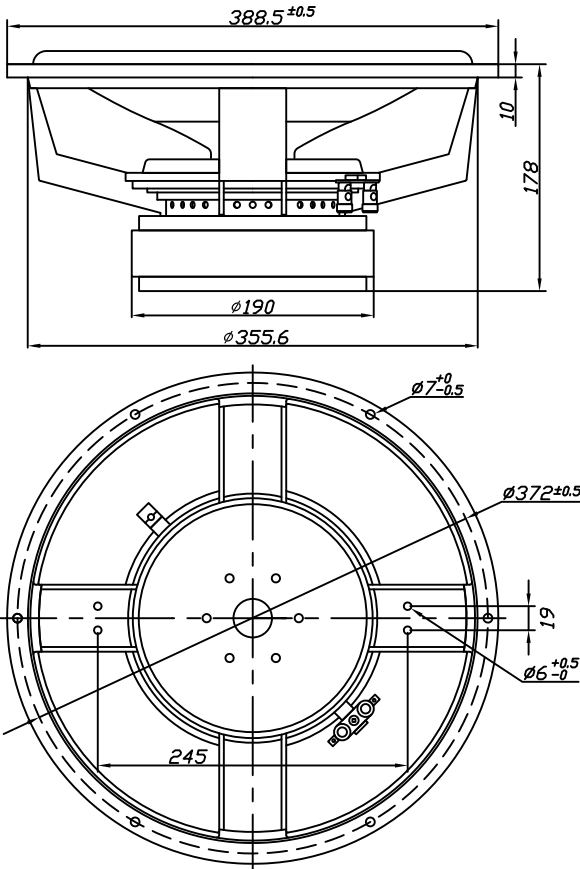




15" Reference HO Subwoofer 4 Ohm

RSS390HO-4



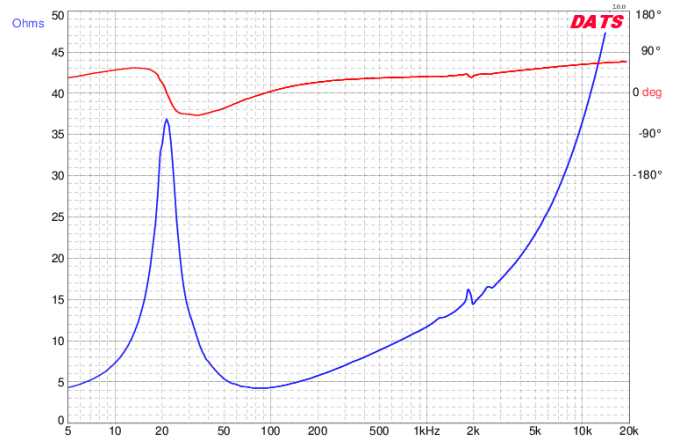
PARAMETERS

Impedance	4 ohms
Re	3.2 ohms
Le	1.79 mH @ 1 kHz
Fs	21.5 Hz
Qms	3.69
Qes	0.35
Qts	0.32
Mms	319g
Cms	0.17 mm/N
Sd	829.6 cm ²
Vd	995.5 cm ³
BL	19.8 Tm
Vas	168 liters
Xmax	12.0 mm
VC Diameter	64 mm
SPL	92.8 dB @ 2.83V/1m
RMS Power Handling	800 watts
Usable Frequency Range (Hz)	21 - 600 Hz

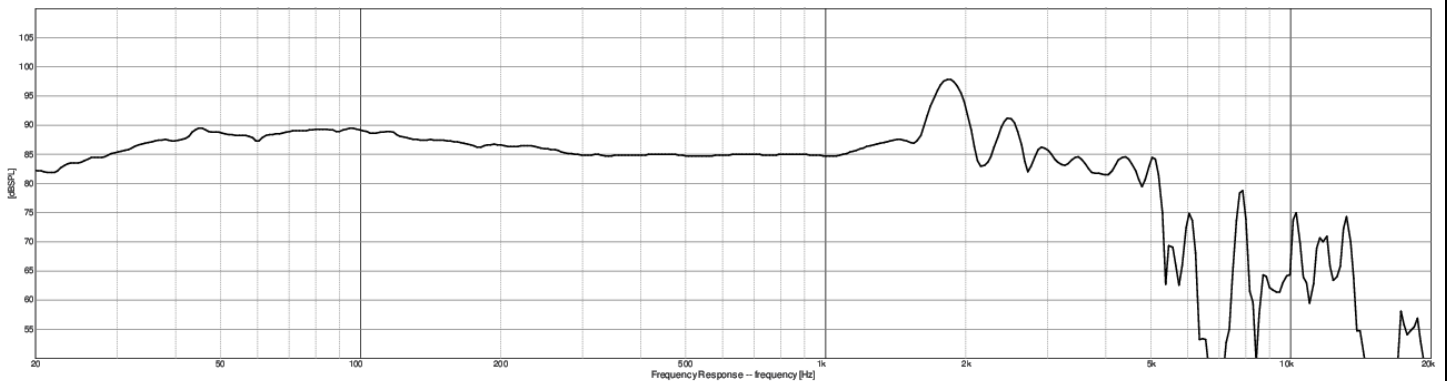
FEATURES

- Extensively vented motor eliminates compression and allows quiet excursion
- Lightweight black anodized aluminum cone for rigidity and lower moving mass
- Triple shorting ring motor for ultra-low distortion
- 2-layer coil for reduced back EMF
- Suitable for sealed or vented enclosures

IMPEDANCE/PHASE



FREQUENCY RESPONSE



Note: 1/24th octave smoothing - nearfield response included in graph below 450 Hz.

Black = 0°