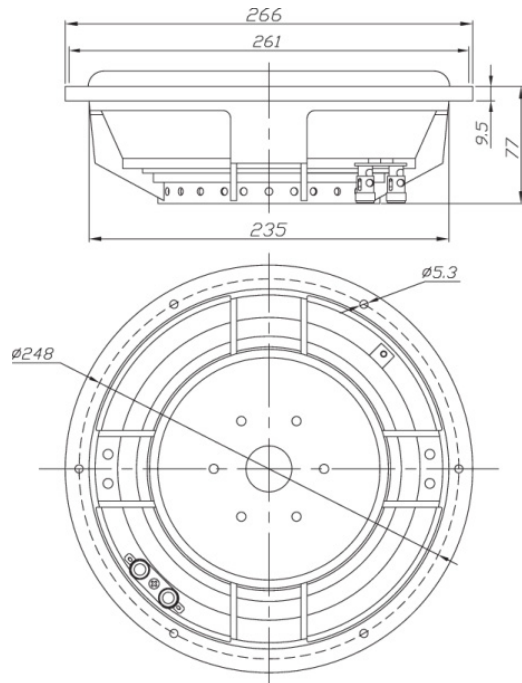




# RSS265-PR 10" Aluminum Cone Passive Radiator

RSS265-PR



## FEATURES

- SMS (Sandwich Mass System) permits greater linearity by minimizing angular torque
- Durable yet compliant suspension provides substantial linear travel and mechanical stability
- Rigid cast aluminum frame with thick black anodized aluminum cone
- Threaded rod with lock nut for easy adjustment of tuning frequency
- Includes 5-75 gram weighted disks for simple tuning adjustment

## Default Parameters (driver only)

Fs	19.6 Hz
Qms	4.92
Mms	200g
Cms	0.33 mm/N
Sd	356.3 cm <sup>2</sup>
Vd	855.1 cm <sup>3</sup>
Vas	59.7 liters
Xmax	24 mm

Note: Parameters above are for the passive only with no additional mass added. Parameters with additional mass added are listed in the table below.

## Parameters with Added Mass

RSS265-PR	0 disk	1 disk	2 disk	3 disk	4 disk	5 disk		
Mmpr	200	275	350	425	500	575	<b>g</b>	
Fpr	19.6	16.7	14.8	13.4	12.4	11.5	<b>Hz</b>	
Qmpr	4.92	5.76	6.50	7.17	7.77	8.33		
Vapr	59.7	<b>These parameters remain the same</b>						<b>liters</b>
Cmpr	0.331							<b>mm/N</b>
Rmpr	5.01							<b>kg/s</b>
Xmech	24							<b>mm</b>
Sd	356.3							<b>cm<sup>2</sup></b>
Vd	855.1							<b>cm<sup>3</sup></b>