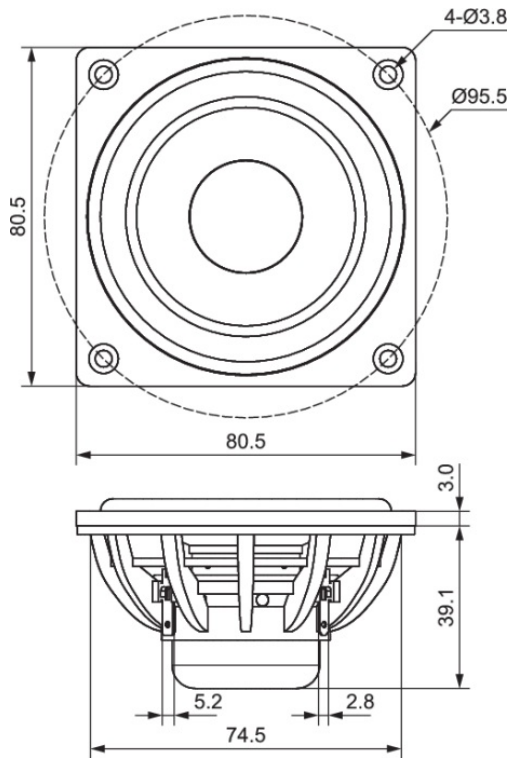




# DMA80-8 3" Dual Magnet Aluminum Cone Full-Range Driver 8 Ohm



PARAMETERS	
Impedance	8 ohms
Re	7.5 ohms
Le	0.5 mH @ 1 kHz
Fs	97.6 Hz
Qms	2.06
Qes	0.61
Qts	0.47
Mms	2.70 g
Cms	0.98 mm/N
Sd	31.2 cm <sup>2</sup>
Vd	7.8 cm <sup>3</sup>
BL	5.1 Tm
Vas	0.04 ft <sup>3</sup>
Xmax	2.5 mm
VC Diameter	1"
SPL	85.3 dB @ 2.83V/1m
RMS Power Handling	25 watts
Usable Frequency Range (Hz)	90-20,000 Hz

- ### FEATURES
- Excellent high frequency response for true full-range applications
  - Dual neodymium motor to create a symmetrical magnetic field for superb control
  - Large copper cap lowers distortion while improving high frequency response
  - Vented aluminum voice coil former with exceptional heat dissipation for high power handling
  - Exclusive 12-spoke open frame design provides extensive venting and minimal reflection
  - DIY friendly, oversized mounting flange makes installation simple
  - Matching tunable passive radiators also available!

