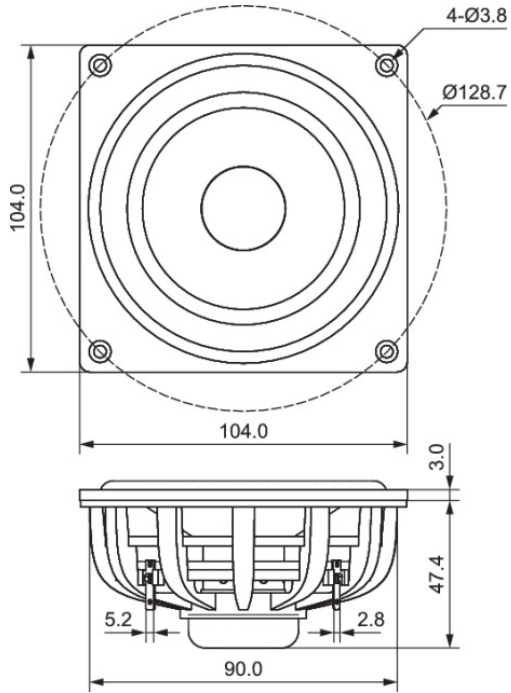




# DMA105-4 4" Dual Magnet Aluminum Cone Full-Range Driver 4 Ohm



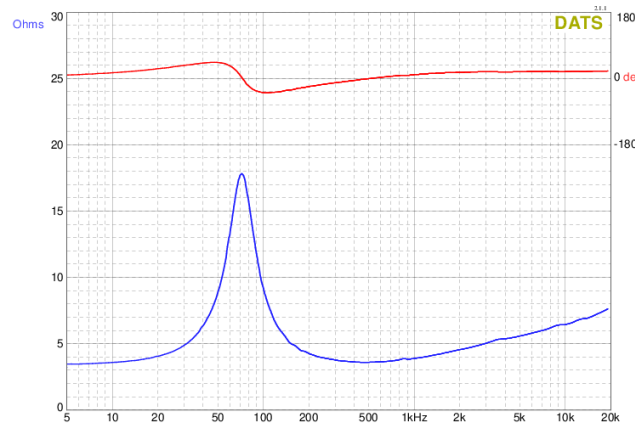
## PARAMETERS

|                             |                      |
|-----------------------------|----------------------|
| Impedance                   | 4 ohms               |
| Re                          | 3.4 ohms             |
| Le                          | 0.3 mH @ 1 kHz       |
| Fs                          | 72.7 Hz              |
| Qms                         | 2.6                  |
| Qes                         | 0.63                 |
| Qts                         | 0.51                 |
| Mms                         | 4.5 g                |
| Cms                         | 1.06 mm/N            |
| Sd                          | 54.1 cm <sup>2</sup> |
| Vd                          | 13.5 cm <sup>3</sup> |
| BL                          | 3.4 Tm               |
| Vas                         | 0.15 ft <sup>3</sup> |
| Xmax                        | 2.5 mm               |
| VC Diameter                 | 1"                   |
| SPL                         | 89.8 dB @ 2.83V/1m   |
| RMS Power Handling          | 35 watts             |
| Usable Frequency Range (Hz) | 70-20,000 Hz         |

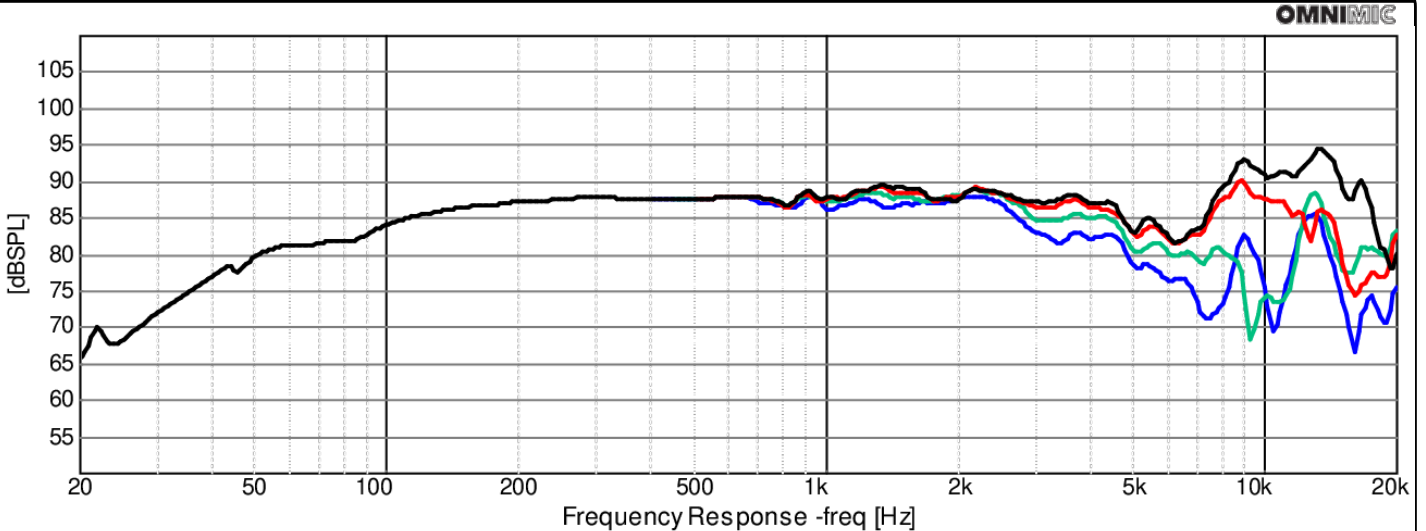
## FEATURES

- Excellent high frequency response for true full-range applications
- Dual neodymium motor to create a symmetrical magnetic field for superb control
- Large copper cap lowers distortion while improving high frequency response
- Vented aluminum voice coil former with exceptional heat dissipation for high power handling
- Exclusive 12-spoke open frame design provides extensive venting and minimal reflection
- DIY friendly, oversized mounting flange makes installation simple
- Matching tunable passive radiators also available!

## IMPEDANCE/PHASE



## FREQUENCY RESPONSE



OmniMic

Note: 1/24<sup>th</sup> octave smoothing - nearfield response included in graph below 450 Hz.

Black = 0°  
Red = 15°  
Green = 30°  
Blue = 45°