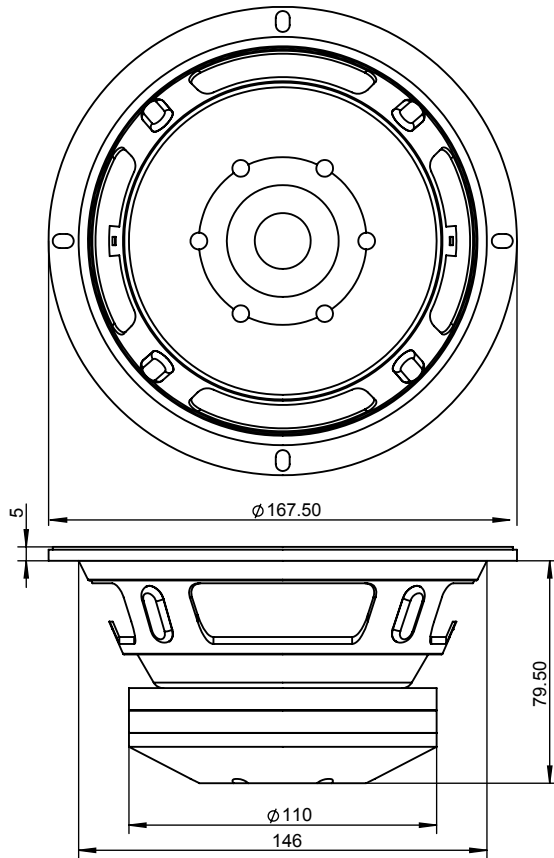




# Apollo 6N 6.5" Professional Neodymium Midbass Woofer 8 Ohm

6MB200N-8



## PARAMETERS

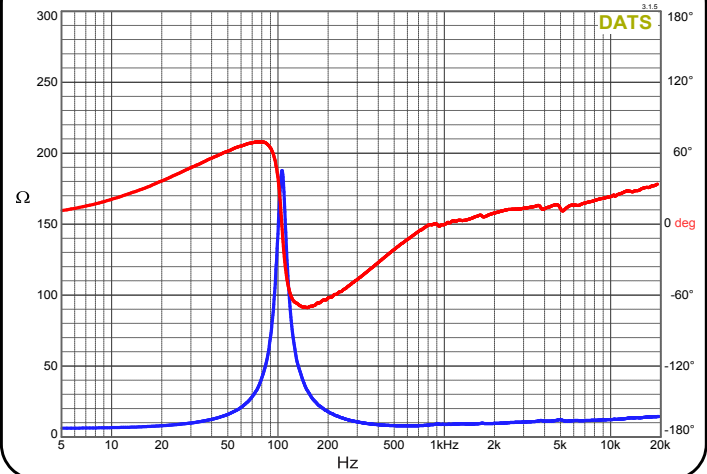
Impedance	8 ohms
Re	6.1 ohms
Le	1.29 mH @ 1kHz
Fs	102.9 Hz
Qms	8.02
Qes	0.29
Qts	0.28
Mms	16.92 g
Cms	0.141 mm/N
Sd	132.67 cm <sup>2</sup>
Vd	49.43 cm <sup>3</sup>
BL	14.94 Tm
Vas	3.497 liters
Xmax	3.77 mm *
Magnetic Gap Height	8 mm
VC Diameter	2"
VC Winding Height	14 mm
SPL	94.4 dB @ 2.83V/1m
RMS Power Handling	200 watts
Usable Frequency Range	90Hz-8kHz

\* Klippel verified

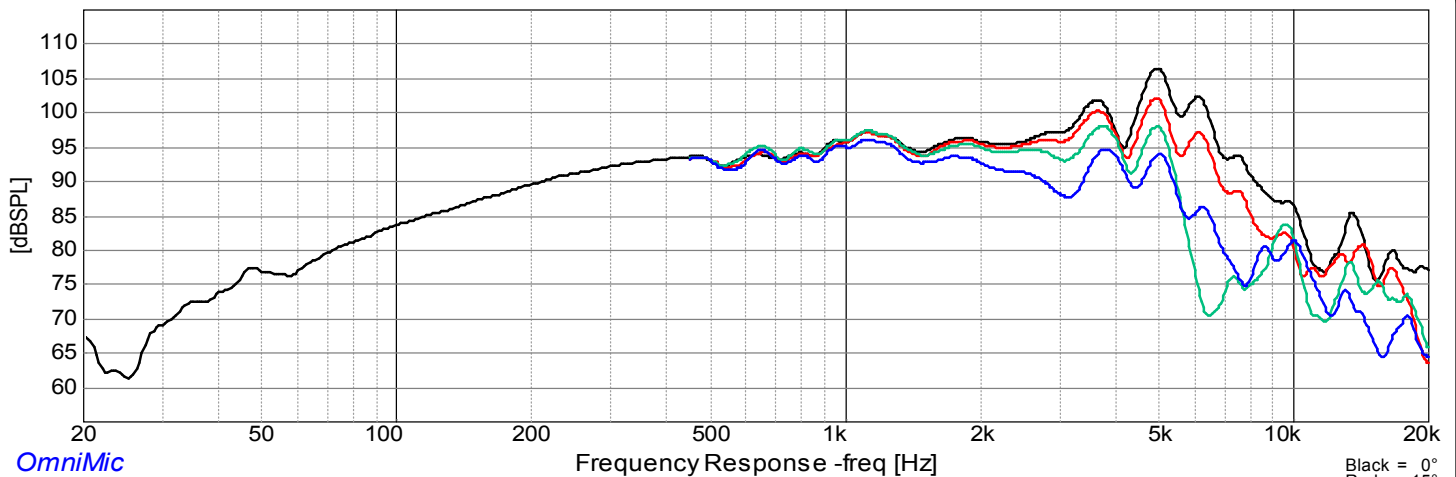
## FEATURES

- Powerful neodymium motor for superior output
- Copper inductance cap for low distortion
- Paper cone and cloth m-roll surround for high clarity, smooth response, and linear excursion for pounds of punch
- 2" Inside/outside wound copper voice coil on fiberglass former lends solid power handling capability
- Under spider and rear periphery venting allow for a cooler running voice coil
- Low Qts means high damping and smaller boxes

## IMPEDANCE/PHASE



## FREQUENCY RESPONSE



Note: 1/12th octave smoothing - nearfield response included in graph below 450 Hz

Black = 0°  
Red = 15°  
Green = 30°  
Blue = 45°