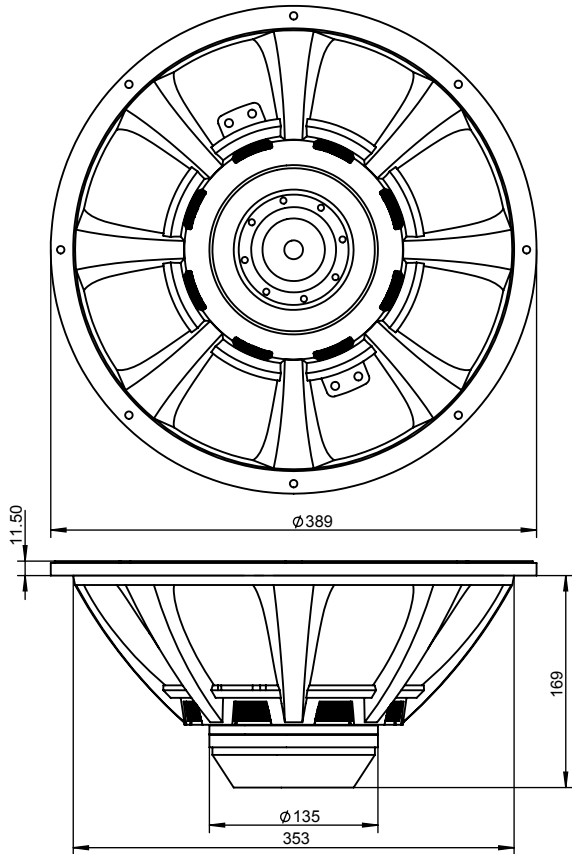




# 15" Neodymium Pro Audio Midbass Woofer

ODEUM Apollo 15N



## PARAMETERS

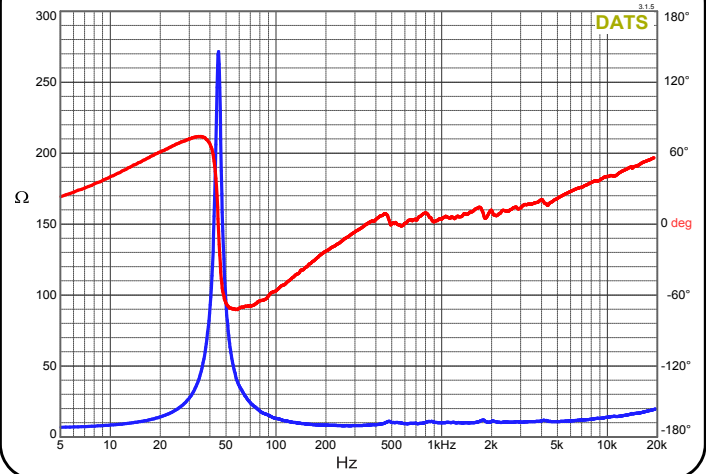
Impedance	8 ohms
Re	5.8 ohms
Le	1.09 mH @ 1kHz
Fs	43 Hz
Qms	10.96
Qes	0.32
Qts	0.31
Mms	99.1 g
Cms	0.138 mm/N
Sd	844.53 cm <sup>2</sup>
Vd	548.4 cm <sup>3</sup>
BL	22.07 Tm
Vas	137.2 liters
Xmax	6.55 mm ***
Magnetic Gap Height	8 mm
VC Diameter	3"
VC Winding Height	16 mm
SPL	98.6 dB @ 2.83V/1m
RMS Power Handling	500 watts
Usable Frequency Range	40Hz-4.5kHz

\*\*\*Klippel verified

## FEATURES

- Powerful neodymium motor for superior output
- Copper inductance cap for low distortion
- Paper cone and cloth m-roll surround for high clarity, smooth response, and linear excursion for pounds of punch
- 3" Inside/outside wound copper voice coil lends on fiberglass former lends solid power handling capability
- Under spider and rear periphery venting allow for a cooler running voice coil
- Low Qts means high damping and smaller boxes

## IMPEDANCE/PHASE



## FREQUENCY RESPONSE

