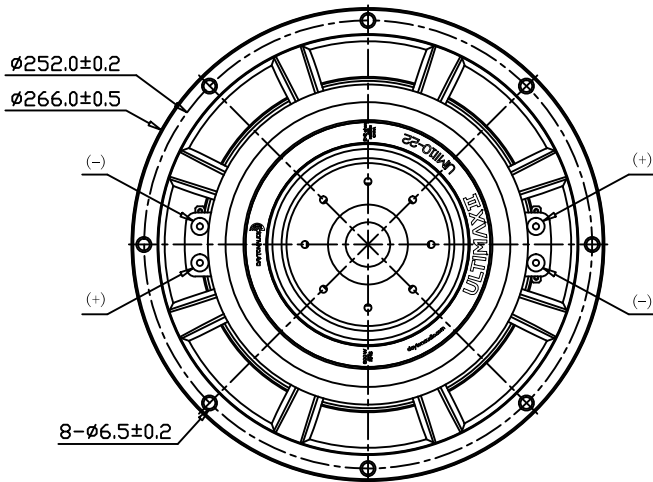
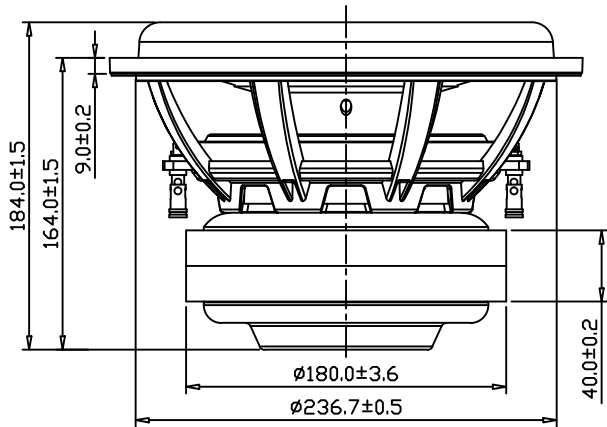




Ultimax II 10" DVC Subwoofer 2 Ohm Per Coil

UM110-22

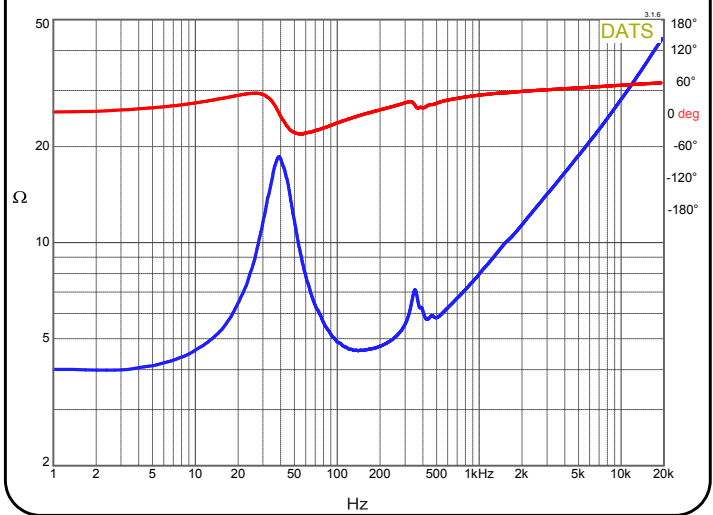


PARAMETERS

Impedance	2 + 2 ohms *
Re	4 ohms
Le @ 1 kHz	0.74 mH
Fs	39 Hz
Qms	2.67
Qes	0.73
Qts	0.57
Mms	134g
Cms	0.126 mm/N
Sd	345 cm ²
Vd	689 cm ³
BL	13.4 Tm
Vas	21.2 liters
Xmax	20 mm **
VC Diameter	63.5 mm
SPL	87.3 dB@2.83V/1m
RMS Power Handling (AES 426B)	600 watts
Usable Frequency Range (Hz)	25 - 500 Hz

*Dual 2-ohm voice coils. All specifications measured with voice coils wired in series.
**at 70% BI (Klippel verified)

IMPEDANCE/PHASE



FEATURES

- 20 mm Xmax allows the driver to displace substantial amounts of air
- 2-1/2" Flat-wound 4-layer copper voice coil for high power handling
- Woven carbon fiber cone offers a sleek appearance and high rigidity
- Large aluminum pole cap and sleeve to minimize distortion
- Dual spiders maintain cone linearity even at extremely high excursion
- Ample venting facilitates maximum airflow across the voice coil

FREQUENCY RESPONSE

