



WPX

Installation Manual

WP60XT

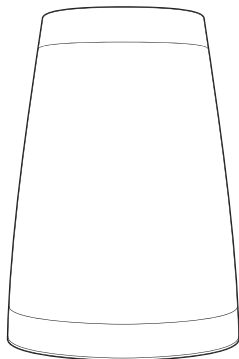
Welcome

Thank you for purchasing a WPX speaker from Dayton Audio. This rugged, all-purpose speaker is designed to deliver reliable, high-quality audio in commercial and residential applications while withstanding outdoor environments. The WPX series features an IP66 weather-resistant ABS construction, 2-way coaxial speaker design and passive bass radiators.

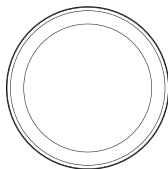
Contents

| | |
|---------------------------------|---|
| Welcome | 1 |
| Contents | 1 |
| What's In The Box | 2 |
| 70V Connection | 3 |
| 8 Ω Connection | 4 |
| Pendant Installation | 5 |
| Landscape Installation..... | 6 |
| Surface Mount Installation..... | 7 |
| Troubleshooting | 8 |
| Specifications | 9 |

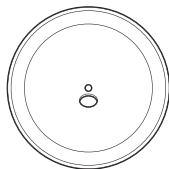
What's In The Box



WPX Pendant Speaker



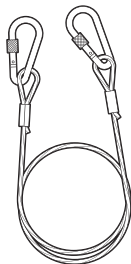
Back Cover



Top Cover



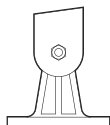
Eyebolt
and Nut



Hanging Cable
with Carabiner



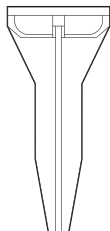
Mounting Hardware



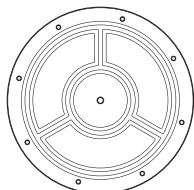
Wall Mount Bracket



This Manual



Landscape Mount

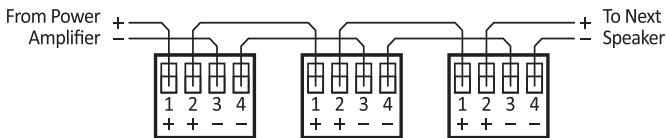


Base Plate

70V Connection

In large commercial installations such as restaurants, warehouses, theme parks, or schools WPX speakers can be installed with a matching 70V amplifier to provide full coverage without risking amplifier overload or loss in signal quality.

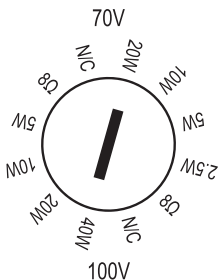
Connect the speakers in parallel with a single cable coming from the amplifier. When installing multiple rows of speakers it is good practice to give each row its own run of cable.



Typical 70V/100V installation wiring method

Set the transformer tap to the desired setting; taking care to ensure the total of all taps settings on all speakers does not exceed the amplifier's power output.

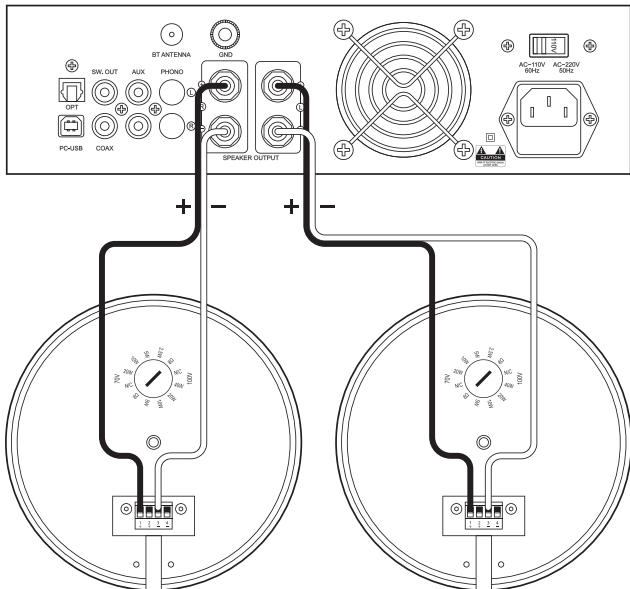
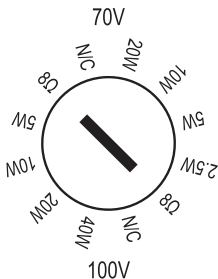
When using this speaker with a 70V/100V distributed audio system, do not set the 70V/100V tap to the 8 ohm setting. Doing so may damage your speaker when playing. To use this speaker with a conventional (non-70V/100V) audio system, change tap to the 8 ohm setting. If you are unsure what type of audio system you have, consult a professional installer before continuing.



8Ω Connection

WPX speakers can also be used in standard stereo installations. Set the transformer tap on the rear of the speaker to 8Ω and connect one speaker to each of the outputs on a stereo amplifier.

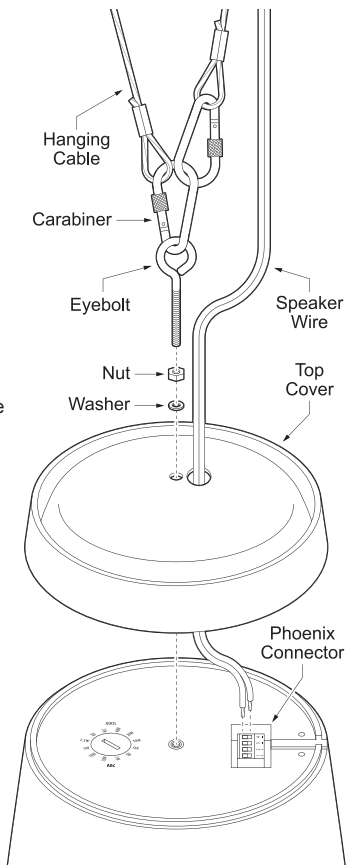
Do not use any 70V tap settings in this situation as the amplifier could become overloaded, resulting in poor sound quality.



Pendant Installation

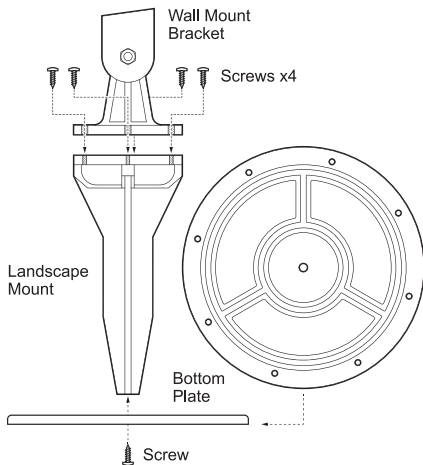
1. Feed the cable through the end cap before terminating with the supplied phoenix connector.
2. Connect the cable to the speaker and install the top cover on the speaker.
3. Fasten the eyebolt, nut and washer on top of the speaker cover.
4. Hang the speaker using the supplied hanging cable and carabiner.

! Make sure the speaker is properly secured to the ceiling or support structure. Use appropriate fasteners and connectors to the type of structure. Failure to do so may cause the speaker to become unsecured, resulting in potential damage or injury.

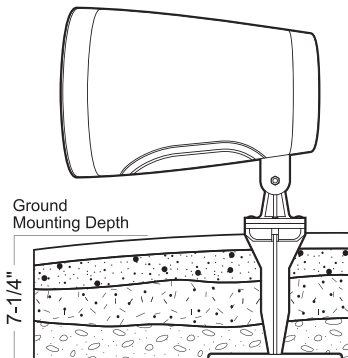


Landscape Installation

1. Assemble the landscape as shown in figure to the right.



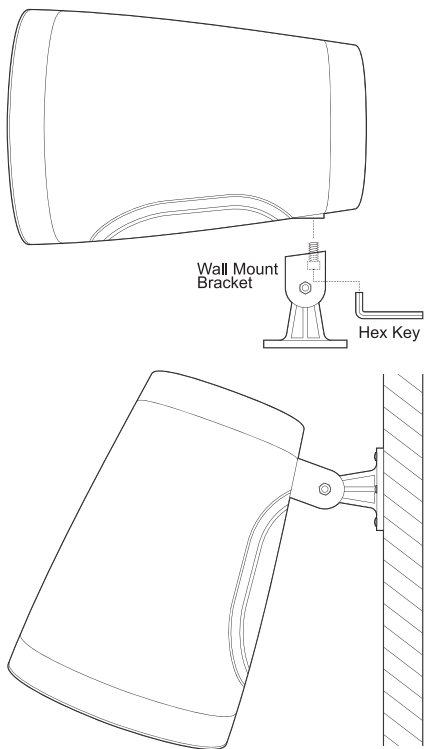
2. Bury the entire assembly for increased stability.



Surface Mount Installation

Use appropriate hardware for securing the wall mount bracket to any wall of surface.

The bracket can be adjusted to point the speaker in the desired direction.



Troubleshooting

| Problem | Cause | Solution |
|-----------------------------|--|---|
| No sound | The amplifier is turned off or the volume is turned down | Verify that the amplifier is powered on and the volume is turned up |
| | Mute feature or protection mode is activated | Check for short circuits in speaker wiring |
| Low or poor quality sound | Incorrect wiring | Make certain you observed proper polarity for both speaker inputs. Check the connections at the back of the receiver, and then at the speaker |
| | Incorrect transformer tap selected on the speaker | Check that the correct transformer tap is selected for your application. If you are using a stereo amplifier or a receiver, use the 8 ohm tap |
| The sound cuts out | There is a short circuit in the speaker cables | Check the connections at the amplifier and all speakers to ensure that no strands of wire from one connector are touching the other connector |
| The sound output lacks bass | The speakers polarity is reversed | Double check the speaker connections, ensuring that the + and - terminals are connected properly on both speakers |
| | The amplifier is using a high pass filter | Some commercial amplifiers have built in high pass filters to deliver more power in a 70V system. Check the setting and specifications of the amplifier |

Specifications

| | |
|----------------------------------|---------------------------------------|
| Frequency Response | 47 Hz - 20 kHz |
| Power Handling | 40W RMS (60W max) |
| Speaker Type | 2-Way Pendant w/ passive radiator |
| Sensitivity | 85 dB |
| Impedance | 8 Ω , 70V/100V |
| 70V Taps | 2.5W, 5W, 10W, 20W |
| 100V Taps | 5W, 10W, 20W, 40W |
| Transducers | |
| Woofer | 6" Graphite Cone with Rubber Surround |
| Tweeter | 1" Silk Dome |
| Max SPL (8 Ohm, 2.83V/1m) | 103 dB |

General

| | |
|----------------------------------|------------------------------------|
| Dimensions (H x W) | 11.125 x 8.375 in. 282 x 214 mm |
| Weight | 8.12 lbs. (3.68 kg) |
| Ingress Protection Rating | IP66 |
| Colors Available | Black White |

All specifications are accurate at the time of printing.
Dayton Audio reserves the right to make improvements without notice.

5-Year Limited Warranty
See daytonaudio.com for details



daytonaudio.com
tel + 937.743.8248
info@daytonaudio.com

705 Pleasant Valley Dr.
Springboro, OH 45066
USA

